



Pet Mate Ltd. guarantees your product for a period of 3 years from the date of purchase, subject to the registration of your purchase details on our website www.pet-mate.com within 14 days of purchase. (If you do not have access to a computer, please send details of your purchase with copy of receipt along with your name and address.) In the event of a fault developing contact Pet Mate customer services for a returns authorisation number. The guarantee is limited to any defect arising due to faulty materials or manufacture. Any defective item will be repaired or replaced free of charge at the manufacturer's discretion, provided that the defect has not been caused by neglect, misuse or normal wear and tear. Your statutory rights are not affected.

D GARANTIE

Pet Mate Ltd. gewährt auf Ihr Produkt eine Garantie von 3 Jahren ab dem Kaufdatum, unter der Voraussetzung, dass die Registrierung Ihres Produkts auf unserer Website www.pet-mate.com innerhalb von 14 Tagen des Kaufdatums erfolgt ist. (Wenn Sie keinen entsprechenden Computerzugang haben, senden Sie uns bitte Ihre Kaufangaben zusammen mit einer Kopie Ihres Einkaufsbelegs und Angabe Ihres Namens und Ihrer Adresse.) Sollte an Ihrem Produkt eine Störung auftreten, so kontaktieren Sie bitte den Kundendienst von Pet Mate, damit wir Ihnen eine Rücksendungs-Genehmigungsnummer übermitteln können. Die Garantie ist auf Mängel beschränkt, die auf fehlerhaftes Material oder Produktionsfehler zurückzuführen sind. Fehlerhafte Artikel werden nach Ermessen des Herstellers kostenlos repariert oder ersetzt, vorausgesetzt, dass der Defekt nicht durch ein Missgeschick, Vernachlässigung, falsche Bedienung oder normale Abnutzung verursacht wurde. Ihre gesetzlichen Rechte sind nicht betroffen.

F GARANTIE

Pet Mate Ltd garantit votre produit pour une période de 3 ans à compter de la date d'achat, sous réserve d'enregistrement des détails de votre achat sur notre site www.pet-mate.com dans les 14 jours suivant l'achat. (Si vous n'avez pas accès à un ordinateur, veuillez envoyer les détails de votre achat avec une copie du reçu, accompagnée de votre nom et de votre adresse.) En cas de panne/mauvais fonctionnement, contactez Pet Mate pour obtenir un numéro d'autorisation de retour. Les articles défectueux seront remplacés ou réparés gratuitement à la discrétion du fabricant, sous réserve que le mauvais fonctionnement ne soit pas le résultat d'un usage inadapté ou abusif ou d'une usure normale. Ces conditions n'affectent pas vos droits statutaires.

E GARANTÍA

Pet Mate Ltd. garantiza su producto durante un período de 3 años a partir de la fecha de compra, siempre y cuando haya registrado los detalles de su compra en nuestro sitio web, www.pet-mate.com, durante los 14 días posteriores a la fecha de compra. (Si no tuviera acceso a un ordenador, por favor, envíe los detalles de su compra junto con una copia del recibo, su nombre y dirección.) En caso de producirse un fallo, póngase en contacto con Servicio al Cliente de Pet Mate para obtener un número de autorización de devolución. La garantía se limita a aquellos fallos que se produzcan como consecuencia de materiales o fabricación defectuosos. Todo artículo defectuoso se reparará o reemplazará a la discreción del fabricante, siempre y cuando el defecto no haya sido causado por negligencia, uso indebido o el uso y desgaste normales. Sus derechos estatutarios no resultarán afectados.

NL GARANTIE

Pet Mate Ltd. geeft drie jaar garantie op uw product, vanaf de koopdatum en afhankelijk van de registratie binnen 14 dagen na aankoop van uw koopgegevens op onze website www.pet-mate.com. (Als u geen toegang tot een computer hebt, wilt u dan de gegevens over uw aankoop samen met een kopie van uw koopbewijs inclusief uw naam en adres opsturen.) Mocht zich een defect voordoen, neemt u dan contact op met de klantendienst van Pet Mate en u ontvangt een autoriseringsnummer voor retour. Deze garantie betreft slechts defecten ten gevolge van materiaal- of fabrieksfout. Elk defect onderdeel wordt gratis gerepareerd of vervangen, dit ter beoordeling van de fabrikant, en op voorwaarde dat het defect niet ontstaat is door zorgvuldigheid, onjuist gebruik of door normale slijtage. Dit heeft geen effect op uw vastgelegde rechten.

CAT MATE® Elite

35522/0619

INSTRUCTIONS

Betriebsanleitung · Mode d'emploi · Instrucciones · Instructies

Ref. 355

MICROCHIP CAT FLAP WITH TIMER CONTROL

D MIKROCHIP KATZENKLAPPE MIT ZEITSCHALTUHR FUNKTION

F CHATIÈRE MICROPUCE AVEC FONCTION DE TEMPORISATION

E GATERA DE MICROCHIP CON CONTROL DE TIEMPO

NL MICROCHIP KATTENDEUR MET TIJDKLOK FUNCTIONERING



www.pet-mate.com



+44 (0)1932 700 001
N America (936) 760 4333

FCC STATEMENT

This equipment has been tested and found to comply with the limits for a Class B digital device, pursuant to Part 15 of the FCC Rules. These limits are designed to provide reasonable protection against harmful interference in a residential installation. This equipment generates uses and can radiate radio frequency energy and, if not installed and used in accordance with the instructions, may cause harmful interference to radio communications. However, there is no guarantee that interference will not occur in a particular installation. If this equipment does cause harmful interference to radio or television reception, which can be determined by turning the equipment off and on, the user is encouraged to try to correct the interference by one or more of the following measures:

- Reorient or relocate the receiving antenna.
- Increase the separation between the equipment and receiver.
- Connect the equipment into an outlet on a circuit different from that to which the receiver is connected.
- Consult the dealer or an experienced radio/TV technician for help.

Changes or modifications not expressly approved by the party responsible for compliance could void the user's authority to operate the equipment.

This device complies with Part 15 of the FCC Rules. Operation is subject to the following two conditions: (1) This device may not cause harmful interference. (2) This device must accept any interference received, including interference that may cause undesired operation.

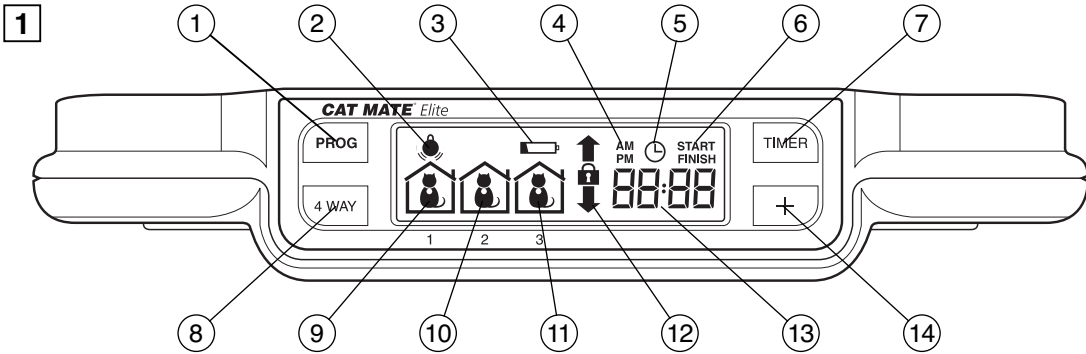


Hereby, Pet Mate Ltd., declares that this product is in compliance with the essential requirements and other relevant provisions of EU Directives. All Declarations of Conformity (DoC) may be viewed at www.pet-mate.com/eudoc.

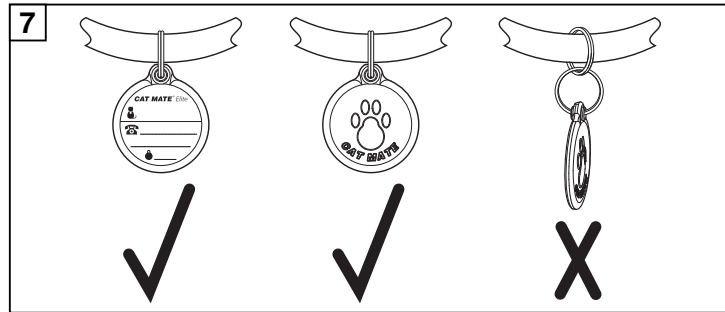
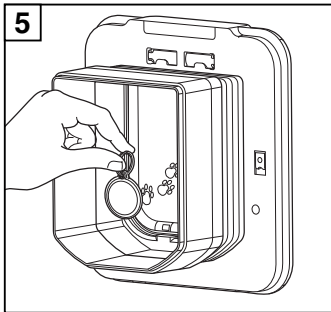
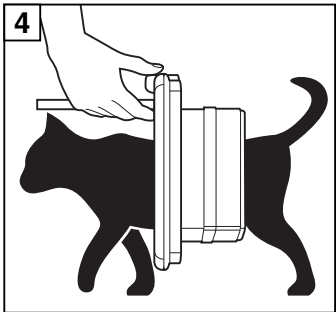
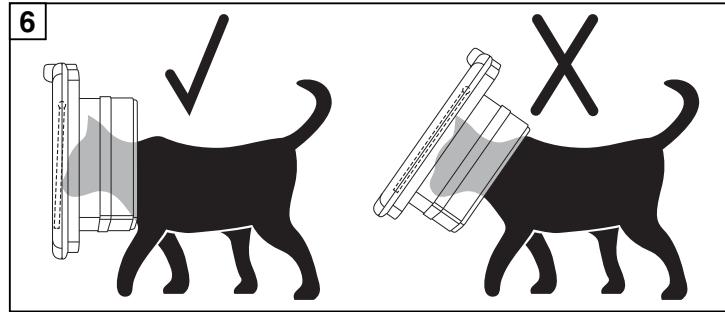
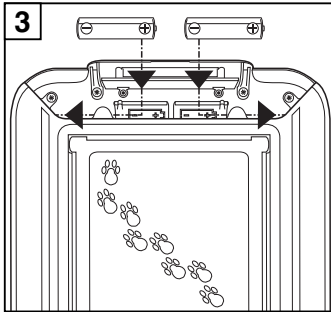
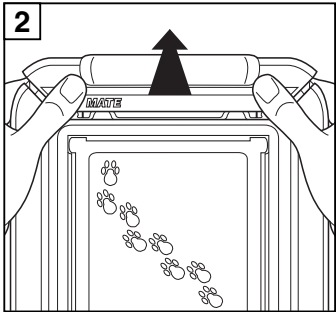


IMPORTANT: Dispose of damaged/faulty/end-of-life products in accordance with locally applicable regulations for your country.
EU: Refer to Terms and Conditions section *EU Waste Electrical and Electronic Equipment (WEEE) Directive* on www.pet-mate.com for more information.

© **PET MATE Ltd** · Lyon Road · Hersham · Surrey · KT12 3PU · England
N.America only: Ani Mate · 104A Longview Drive · Conroe · Texas 77301



1. 'PROG' (PROGRAM) button
2. Microchip / I.D. Disc search indicator
3. Low battery indicator
4. AM/PM indicators (12-Hr clock mode)
5. 'TIMER' function indicator
6. 'TIMER' mode 'Start/Finish' indicators
7. 'TIMER' button
8. '4 WAY' button
- 9 - 11. CAT 1 - 3 location symbols
12. '4 WAY' lock indicators
13. Alphanumeric display (normally states time)
14. 'ADVANCE' button



IMPORTANT - READ BEFORE USE

D WICHTIG - BITTE VOR VERWENDUNG

Seiten 14 - 21

- | | |
|---|---|
| 1. PROGRAMMIER-Taste | 8. 4-WEGE-Taste |
| 2. Mikrochip/I.D.-Marken- Suchanzeige | 9 - 11. KATZE 1 - 3 Aufenthaltssymbol |
| 3. Batteriezustandsanzeige | 12. 4-WEGE-Verriegelungsanzeigen |
| 4. AM/PM-Anzeigen (12-Stunden-Uhrzeitmodus) | 13. Alphanumerisches Display (normalerweise Uhrzeitanzeige) |
| 5. TIMER-Funktionsanzeige | 14. VORWÄRTS-Taste |
| 6. TIMER-Modus für Start/Finish-Anzeigen | |
| 7. TIMER-Taste | |

F IMPORTANT - À LIRE AVANT USAGE

Pages 22 - 29

- | | |
|---|---|
| 1. Touche « PROGRAM » | 8. Touche « 4 WAY » |
| 2. Témoin de recherche de puce/ disque d'identification | 9 - 11. Symbole de localisation du CHAT 1 - 3 |
| 3. Témoin de pile faible | 12. Témoins de verrouillage à 4 positions (« 4 WAY ») |
| 4. Témoins AM/PM (mode horloge 12h) | 13. Affichage alphanumérique (affiche habituellement l'heure) |
| 5. Témoin de fonction de temporisation (« TIMER ») | 14. Touche d'avancement (« ADVANCE ») |
| 6. Témoins de démarrage/arrêt du mode « TIMER » | |
| 7. Touche « TIMER » | |

E IMPORTANTE - LEA ANTES DE USAR

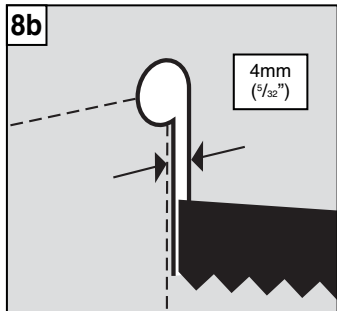
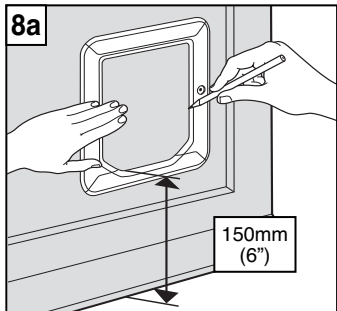
Páginas 30 - 37

- | | |
|---|--|
| 1. Botón 'PROGRAM' | 8. Botón '4 WAY' |
| 2. Indicador de búsqueda de microchip/disco de I.D. | 9 - 11. Símbolo de ubicación del GATO 1 - 3 |
| 3. Indicador de pila baja | 12. Indicadores de cerrojo '4 WAY' |
| 4. Indicadores AM/PM (mañana/ tarde) (modo reloj de 12 horas) | 13. Pantalla alfanumérica (normalmente indica la hora) |
| 5. Indicador de función 'TIMER' | 14. Botón 'ADVANCE' |
| 6. Indicadores de 'Start/Finish' en el modo 'TIMER' | |
| 7. Botón 'TIMER' | |

NL BELANGRIJK! DIT EERST LEZEN VOOR GEBRUIK


Bladzijden 38 - 45

- | | |
|---------------------------------------|--|
| 1. 'PROGRAMMA' knop | 8. '4 WAY' knop |
| 2. Zoekindicator microchip/ I.D.-disc | 9 - 11. KAT 1 - 2 locatiesymbool |
| 3. Lage batterijindicator | 12. '4 WAY' vergrendelingsindicator |
| 4. AM/PM-indicator (12-uurs klok) | 13. Alfanumeriek displayscherm (geeft gewoonlijk tijd aan) |
| 5. 'TIMER' functie-indicator | 14. 'ADVANCE' knop |
| 6. 'TIMER'-Start/Finish-indicator | |
| 7. 'TIMER' knop | |

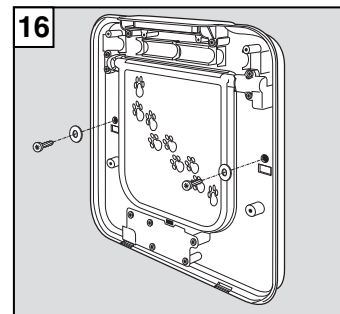
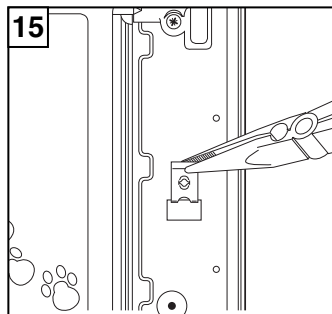
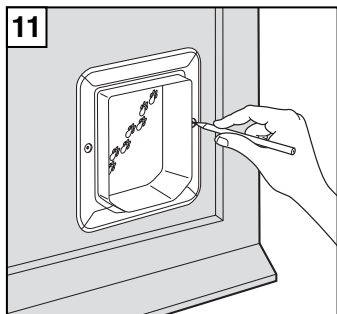
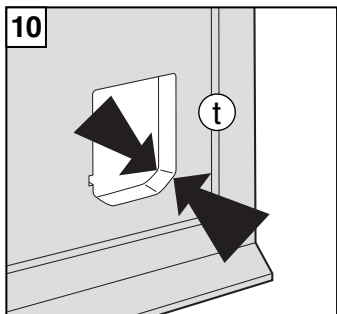
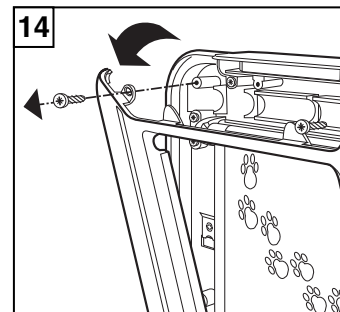
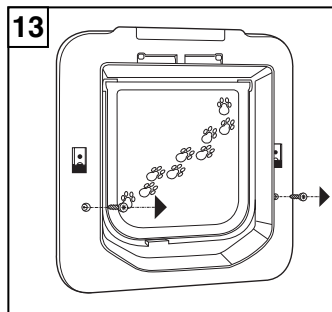
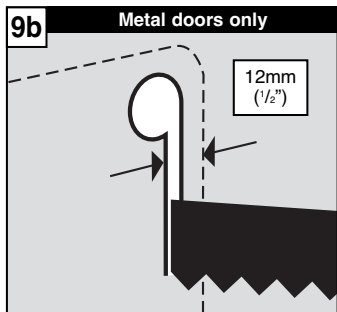
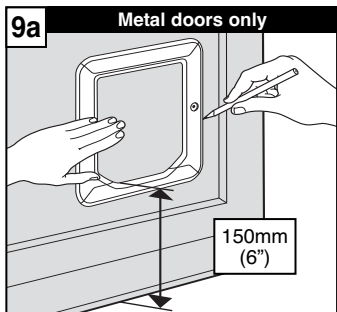


12

(t)

0 - 12mm (0 - 1/2")	
12 - 25mm (1/2 - 1")	25mm (1")
25 - 38mm (1 - 1 1/2")	38mm (1 1/2")
38 - 50mm (1 1/2 - 2")	50mm (2")*
	65mm (2 1/2")

* Not supplied



IMPORTANT SAFETY INSTRUCTIONS

- Read all instructions before installing or using this product.
- Register your purchase on-line at www.pet-mate.com (see guarantee).
- Do not allow children to play with this product.
- Inspect product regularly for correct operation and damage. Do not use if in doubt.
- This product is designed for use with pets only, as described in these instructions.
- The locking system of this pet door is not intended as a security device.
- This pet door is not a fire resistant door and must not be used where there is a risk from fire spread.
- The installer of this pet door is responsible for complying with all relevant building regulations.
- During installation of this pet door take appropriate care. Follow safety instructions for all tools and wear appropriate personal protective equipment.
- Dispose of all packaging material properly. *NOTE: Plastic bags could cause suffocation - keep away from children and animals.*

SAVE THESE INSTRUCTIONS

1. Introduction

Thank you for choosing the Cat Mate Elite Microchip Cat Flap with Timer Control.

CAREFULLY READ THESE INSTRUCTIONS AND PROGRAM / TEST THE CAT FLAP BEFORE YOU INSTALL IT.

The Cat Mate Elite Microchip Cat Flap with Timer Control allows entry for up to 9 cats into your property. It also allows you to control the exit of all your pets using a timer or 4 way lock. Furthermore, it will allow you to monitor the movement of up to 3 individual cats - showing when your cat last entered or left the house, and how many hours since your cat last used the flap.

The cat flap is suitable for all popular microchips. Alternatively it may be operated by a Cat Mate I.D. Disc (available separately). You may wish to use an I.D. Disc for cats without a microchip or in the event that your cat's microchip is faulty or poorly positioned.

To ensure that your chosen settings cannot easily be tampered with, we have made the control buttons so that they need to be pressed firmly to operate.

If you wish to stop any task (except programming) at any stage, the system will time out after 60 seconds.

Settings will not be saved unless you press the 'PROG' button.

2. Fitting the Batteries

- 2.1 Remove the battery cover by pushing the battery cover upwards (see Fig. 2). The cover will snap off.
- 2.2 Insert 4 x AA (R6) batteries as shown (Fig. 3), by sliding the 2 end batteries in first.
- 2.3 The cat flap will self-check for up to 60 seconds after which only the 'IN & OUT' arrows will be visible on the LCD display. The flap is ready to program.

All popular batteries can be used including rechargeable batteries, but the low battery indicator (③ , Fig. 1) will only work correctly with alkaline batteries. Good quality alkaline batteries should last approximately 12 months (depending on number of cats and usage). You **MUST NOT** use lithium batteries.

3. Programming

The next step is to program the microchip (or I.D. Disc) belonging to each cat.

NOTE: The programming sequence is time sensitive and the LCD will revert to the normal display if each step is not completed within approximately 15 minutes.

In order for the flap to recognise your cat(s) microchip you need to do the following:

- 3.1 Press and hold the 'PROG' button for 5 seconds (① , Fig. 1) until the search indicator (② , Fig. 1) appears.
- 3.2 'CAT 1' and the number '1' will flash - there will be lines moving around the first 'TWO ZEROS'.
- 3.3 To program your cat's microchip, encourage your cat to slowly pass through the tunnel by holding the flap open as shown in Fig. 4. Alternatively, to program your cat's I.D. Disc, place the front of the I.D. Disc in the tunnel opening (Fig. 5).
- 3.4 When programmed, the 'TWO ZEROS' will disappear and 'Pr1' will flash.
- 3.5 Press the 'PROG' button to save the setting.

For additional cats, up to a maximum of 9, repeat steps 3.1 to 3.5.

4. Fitting Instructions (see Figs. 8a to 16, pages 4 and 5)

IMPORTANT:

- **Do not cut tunnel of cat flap.**
- **To check that your cat's microchip is correctly positioned and functioning, we strongly recommend you program the cat flap for all your cats before installation (see Section 3). Then check the cat's microchip operates the lock when the cat's head is pushed gently against the flap as shown in Fig. 6.**

4.1. Wooden Doors 0-50mm (0-2") Thick

- 4.1.1 Place exterior frame in desired position on door. We recommend the bottom of the aperture is approximately 150mm (6") above ground level. (Fig. 8a). If you must fit higher consider providing a step to help your cat enter.
- 4.1.2 Draw around the aperture (Fig. 8a), then using an electric jigsaw cut 4mm ($\frac{3}{32}$ ") outside of the line. (Fig. 8b).

Be careful to cut hole square to the door, particularly with thicker doors. Ensure interior frame is free fitting in hole.
- 4.1.3 Determine thickness of door panel, (t). (Fig. 10).
- 4.1.4 Holding the interior frame and the exterior frame in position, mark the 2 screw holes. (Fig. 11).
- 4.1.5 Remove the frames and drill screw clearance holes in panel to 6mm ($\frac{1}{4}$ ") diameter.
- 4.1.6 Position interior frame on inside of door and screw exterior frame to it by using appropriate screws for panel thickness, (t), as shown in Fig. 12. If necessary, cut supplied screws to length. Finally fit two screw caps.

4.2 UPVC / Metal Doors 0-50mm (0-2") Thick

Doors constructed with metal panels may reduce the range of the microchip reader. You may test for metal panels by drilling a small trial hole in the middle of the intended cat flap location.

For UPVC / metal doors it is essential to cut a larger hole than for wooden doors and to retune the cat flap as below:

- 4.2.1 Place exterior frame in desired position on door. We recommend the bottom of the aperture is approximately 150mm (6") above ground level. (Fig. 9a). If you must fit higher consider providing a step to help your cat enter.
- 4.2.2 Draw around the OUTSIDE of the frame. (Fig. 9a). Using an electric jigsaw cut 12mm (1/2") INSIDE the line (Fig. 9b).
- 4.2.3 Determine thickness of door panel, (t). (Fig. 10).
- 4.2.4 Position interior frame on inside of door and screw exterior frame to it by using appropriate screws for panel thickness, (t), as shown in Fig. 12. If necessary, cut supplied screws to length. DO NOT OVERTIGHTEN SCREWS which may prevent the flap from closing properly - use a manual screwdriver. Finally fit two screw caps.
- 4.2.5 Remove batteries for a minimum of 2 minutes after installation. This will enable the cat flap to retune itself to its new location.

4.3 Glass Panels

- 4.3.1 We recommend that you ask a glazier to cut a hole of 232mm (9 1/8") diameter in the position required and then install the cat flap as detailed below. Alternatively, you may prefer to replace the glass panel with a clear plastic panel and install as instructions 4.1.1 to 4.1.6.

Note: It is not possible to cut a hole in double glazed or toughened glass. You will need a new glass panel with the hole already cut from your glazier.

- 4.3.2 Determine thickness of panel, (t). (Fig. 10).
- 4.3.3 The black foam seal is not suitable for fitting to glass and should be removed. If desired, the exterior frame may be sealed to the glass panel using silicone sealant.
- 4.3.4 Position interior frame on inside of panel, screw exterior frame to it by using appropriate screws for panel thickness, (t), as shown in Fig. 12. If necessary, cut supplied screws to length. DO NOT OVERTIGHTEN SCREWS which may prevent the flap from closing properly - use a manual screw driver. Finally fit two screw caps.

4.4 Wall Fitting

If you are installing your cat flap in a wall, you will need to purchase Cat Mate Elite Wall Liners. You will need 1 wall liner for every 50mm (2") of wall thickness over 100mm (4").

- 4.4.1 Create a rectangular hole in your wall 205mm (8") high by 180mm (7") wide.
- 4.4.2 Remove interior frame battery cover by pushing up as shown (Fig. 2).

- 4.4.3 Remove interior frame cover by unscrewing 2 screws in rear of interior frame (Fig. 13). (*Note: these screws may be discarded as it will be impossible to refit them*). Next remove the outermost 2 screws under the battery cover and remove the interior frame by pivoting down (Fig. 14).
- 4.4.4 Carefully remove 2 screw clips with pliers. (Fig. 15).
- 4.4.5 Fit interior frame assembled with requisite number of wall liners to interior wall securing in position with 2 suitable screws as shown in Fig. 16. (*Note: you will need to fit a washer (not supplied) under the head of the screws*). If required, the wall liners may be glued in place, although a firm push fit will usually suffice.
- 4.4.6 Refit interior frame cover with 2 screws under battery cover, taking great care not to trap electrical wires. Replace the battery cover.
- 4.4.7 Fit exterior frame using 2 off 25mm (1") screws supplied and finally, fit 2 screw caps.

5. Training Your Cat to Use the Cat Flap (or if Your Cat Has Lost its I.D. Disc)

It may take a little time for your cat to get used to its new cat flap. To help your cat get used to entering and exiting the flap, the flap can be set to 'TRAINING MODE' by pressing and holding the 'PROG' button and within 3 seconds briefly pressing the '4 WAY' button.

After 5 seconds the lock will unlock and the 'PROG' button should then be released. The 'IN & OUT' symbol will remain flashing.

Please be aware that in 'TRAINING MODE' your cat flap will allow access for other animals.

To exit the 'TRAINING MODE', press and hold the 'PROG' button and within 3 seconds briefly press the '4 WAY' button. After 5 seconds the flap will re-lock and the 'PROG' button should then be released.

For very hesitant cats, whilst in the 'TRAINING MODE', use food to encourage the cat to enter and exit the flap.

NOTE: We do NOT recommend that cats, particularly kittens, are left alone to use their cat flap until you are satisfied that they are completely familiar with its operation.

6. Viewing Your Cat's Location

The LCD shows at a glance, the location of up to three cats (1-3).



The cat last went through the flap, coming into the house.



The cat last went through the flap, going out of the house.





Please note this display is only a guide to your cats' location. The cat flap determines the location of your cat by recording its last movement through the cat flap. The results may be misleading if the cat has an alternative entrance/exit to the house or if the cat has followed another cat through the cat flap; if it only puts its nose out of the cat flap etc.

7. To View How Long Since the Cat(s) Last Used the Cat Flap

- 7.1 To view how many hours and minutes since cats 1, 2 or 3 last used the cat flap, press the '+' button.
- 7.2 The display will show the symbol for 'CAT 1' and how many hours and minutes ago 'CAT 1' used the flap up to a maximum of 99 hours.
- 7.3 Press '+' again for similar information on Cats 2 and 3.
- 7.4 Press '+' a fourth time (or leave for 20 seconds) and the normal display will be resumed.

8. Access Options

The access options available are shown below.

-  **'In & Out'** Your cat(s) can come in and out of the flap
-  **'In Only'** Your cat(s) can come in through the flap but cannot leave through the flap
-  **'Out Only'** Cat(s) can go out through the flap but cannot enter through the flap
-  **'Locked'** Cat(s) cannot use the flap

Select an access option as follows:

- 8.1 Press and hold the '4 WAY' button for 5 seconds until the display flashes.
- 8.2 Repeatedly press the '4 WAY' button to scroll through the available access options, until you come to the one you want.
- 8.3 Press the 'PROG' button to save the setting.

8.4 Setting Timer Control/Clock for ALL Cats

If you wish to set your cat flap to ensure that ALL cats have a particular access option, over a selected timed period, e.g. to keep your cat(s) in at night between 19:00 and 06:00, you will first need to decide:


- Which lock setting should apply DURING the timed period, (in the above example 'IN ONLY' will apply). Outside the timed period, the lock setting made in 8.1 to 8.3 will apply.
- When the timed period should 'START' (In the above example 19:00hrs).
- When the timed period should 'FINISH' (in the above example 06:00hrs).
- You will also need to know the current time.

Proceed as follows:

NOTE: if you do not press a button for more than 60 seconds the display will revert to normal and you will need to start again.

- 8.4.1 Press the 'TIMER' button for 5 seconds until the Timer function indicator flashes.

- 8.4.2 Repeatedly press the '4 WAY' button to select the required access options from: 'IN & OUT', 'IN ONLY', 'OUT ONLY', 'LOCKED' or 'OFF'.
- 8.4.3 Press the 'PROG' button to save the setting.
- 8.4.4 The display will show time with the Minute symbol flashing. Repeatedly press the '+' button until the current Minutes setting is shown (i.e. 10 if the current time is 12:10).
- 8.4.5 Press the 'PROG' button to save the setting.
- 8.4.6 The display will now show the time with the Hour symbol flashing.
If you wish to change between a 24 hour clock and AM/PM setting, press the 'TIMER' button.
- 8.4.7 Repeatedly press the '+' until the correct Hour setting is shown (e.g. 12 if the current time is 12:10).
- 8.4.8 Press the 'PROG' button to save the setting.
- 8.4.9 The display will show the word 'START' and the minutes will flash. Press the '+' button until the desired minutes setting is shown, (in the above example '00'). Press the 'PROG' button to save the setting.
- 8.4.10 Then set the hours in the same way (in the above example 19:00).
- 8.4.11 The display will show the 'FINISH' time. Set in the same way as the 'START' time. Remember to press 'PROG' to save the setting.

When the Timer is set, the Timer function indicator ( , Fig. 1) will be shown on the display.


When the timed lock is active, the access option symbol chosen at 8.2 will flash slowly.

To check the time settings, briefly press the 'TIMER' button and release. The display will show the timed access option selected and the 'START' time. Press the 'TIMER' button again to show 'FINISH' time. The display will revert to current time after 5 seconds.

To cancel timer control and revert back to the normal access option:

- 8.4.12 Press the 'TIMER' button for 5 seconds.
- 8.4.13 Press the '4 WAY' button and go back through the options until you come to 'OFF'.
- 8.4.14 Press the 'PROG' button 3 times to keep the current clock time and return to the normal display.

9. Battery Replacement

When the low battery indicator ( , Fig. 1) comes on, alkaline batteries should be replaced. (See Section 2).

Please note, after fitting new batteries:

- Low battery indicator may remain on for up to 15 minutes.
- Flap will remember all microchip(s) and I.D. Disc(s), Lock Settings and Lock Times but CURRENT TIME WILL NEED RESETTNG. (See section 8.4).

10. Reprogramming a Microchipped Cat or I.D Disc

10.1 Press the 'PROG' button for 5 seconds, the next unused Cat number will flash and there will be lines moving around the first 'TWO ZEROS'.

10.2 Press the '+' button to select the appropriate Cat number you wish to reprogram or select the next available Cat number. (A 'P' next to the Cat number indicates that it has already been programmed, although you may reprogram as follows).

10.3 To program your cat's microchip, encourage your cat to slowly pass through the tunnel by holding the flap open as shown in Fig. 4. Alternatively, to program a replacement I.D. Disc, place the front of the I.D. Disc in the tunnel opening (Fig. 5).

10.4 When programmed, the 'TWO ZEROS' will disappear and 'Pr' will flash.

10.5 Press the 'PROG' button to save the setting.

For additional cats, up to a maximum of 9, repeat steps 10.1 to 10.5.

11. Factory Reset

To reset the cat flap back to the setting when you first bought it, press and hold the '+' button for about 30 seconds until all symbols show on LCD. After a period of self checking, the 'IN & OUT' symbol will be all that is visible on the LCD display. This procedure will erase all I.D. Disc(s) / microchip(s) and all other settings. You will then need to re-program the I.D. Disc(s) / microchip(s) (See Section 3).

12. High Security Mode

This cat flap is supplied with high security mode disabled as this makes it easy for your cat to get used to its new flap. In this mode the flap has the quickest possible response time to the cat's microchip.

Once the cat has become accustomed to using the cat flap it is recommended that high security mode is enabled. This gives improved security against entrance by raccoons and persistent neighbourhood cats and longer battery life.

You can switch the flap to high security mode ('Eon') as follows:

12.1 Press and hold 'PROG' button and within 3 seconds briefly press the '+' button. When the display shows 'EOFF' or 'Eon' release the 'PROG' button.

12.2 You may toggle between 'EOFF' and 'Eon' by pressing the '4 WAY' button. Press 'PROG' to save the desired setting.

13. Troubleshooting

13.1 Cat will not use the flap

It may take time for timid cats to learn how to use the cat flap - even if they have used another cat flap before.

- First try using 'TRAINING MODE' (See Section 5).
- Check the high security mode is disabled so your cat will find it easier to use the flap (See Section 12).

13.2 Cat's microchip will not program

- Your cat's microchip might be faulty or poorly positioned. Contact Pet Mate Customer Services or fit a Cat Mate I.D. Disc.

13.3 Flap does not open in response to programmed microchip or I.D. Disc

- Check the cat's microchip or I.D. disc operates the lock when the cat's head is pushed gently against the flap as shown in Fig. 6.
- If fitted in UPVC / metal door, ensure correct cut out size has been made (See Section 4.2).
- When fitted to UPVC / metal door check the unit has been retuned by removing batteries for a minimum of 2 minutes.
- Check '4 WAY' lock is programmed to permit access in the chosen direction (See Section 8).
- Ensure a timed lock is not activated, (evident by flashing '4 WAY' lock setting). If required, cancel the timed lock (See Sections 8.4.12 to 8.4.14).
- The high security mode may have been activated (denoted by 'Eon' on the display). Do not move the flap until 'Eon' disappears.
- Check batteries are correctly orientated (Fig. 3) and the low battery indicator (③, Fig.1) does not show.
- If using an I.D. Disc, check it is correctly fitted to cat's collar (Fig. 7).
- If possible, try operation with another programmed I.D. Disc / microchip to ascertain if there is a fault with a particular I.D. Disc / microchip.
- Check that the cat flap is mounted at correct height (See Section 4).
- If all else fails, remove batteries and wait a minimum of 5 minutes. Refit batteries and then perform a 'FACTORY RESET' (See Section 11).

13.4 Flap has not fully closed

- Check that the cat flap frame is not overtightened with the 2 fixing screws. Try loosening screws slightly.
- Very occasionally this will be due to an unusual event in which the electronics will normally self correct within 30 minutes. If problem persists remove batteries for 30 minutes before replacing when correct lock action should be resumed.

13.5 Difficulty in setting required functions/times

- Buttons need to be pressed firmly.
- Remember to press the 'PROG' button after making any change to save the setting.

13.6 Display locks up

- Remove batteries for 5 minutes, then replace.
- If the display is still locked perform a 'FACTORY RESET' (See Section 11).


13.7 Flap does not lock

- Check flap not in 'TRAINING MODE' (slowly flashing arrows).
- Wait 30 minutes for self correction.

WICHTIGE SICHERHEITSANWEISUNGEN

- Bitte lesen Sie vor dem Einbau oder der Verwendung dieses Produkts sämtliche Anweisungen.
- Registrieren Sie Ihr Produkt online unter www.pet-mate.com (siehe Garantie).
- Lassen Sie keine Kinder mit diesem Produkt spielen.
- Prüfen Sie das Produkt regelmäßig auf ordnungsgemäßen Betrieb und mögliche Anzeichen von Beschädigung. Im Zweifelsfall soll es nicht verwendet werden.
- Dieses Produkt ist nur geeignet zur Verwendung mit Haustieren und nur wie in der vorliegenden Bedienungsanleitung beschrieben.
- Das Verriegelungssystem dieser Haustiertür ist nicht zur Verwendung als Sicherheitsvorrichtung konzipiert.
- Diese Haustiertür ist keine Brandschutztür und darf nicht verwendet werden, wo Gefahr zur Brandausbreitung besteht.
- Der Installierer dieser Haustiertür trägt die Verantwortung für die Einhaltung aller zutreffenden Bauvorschriften.
- Der Einbau dieser Haustiertür soll mit entsprechender Sorgfalt vorgenommen werden. Dabei sollen die Sicherheitsanweisungen für die Verwendung aller Werkzeuge befolgt und entsprechende persönliche Schutzausrüstung getragen werden.
- Entsorgen Sie alle Verpackungsmaterialien ordnungsgemäß. *HINWEIS: Plastikbeutel können Erstickungsgefahren verursachen und müssen außer Reichweite von Kindern und Tieren gehalten werden.*

BITTE DIESE ANWEISUNGEN AUFBEWAHREN

 Pet Mate Ltd. erklärt, dass dieses Produkt den grundlegenden Anforderungen und anderen zutreffenden Bestimmungen von EU-Richtlinien entspricht. Alle Konformitätserklärungen können unter www.pet-mate.com/eudoc aufgerufen werden.



WICHTIG: Beschädigte, fehlerhafte Produkte und Altprodukte müssen in Übereinstimmung mit den im Verwendungsland geltenden örtlichen Bestimmungen entsorgt werden.
EU: Weitere Informationen dazu können in den Allgemeinen Geschäftsbedingungen im Abschnitt zur EU-Richtlinie über Elektro- und Elektronik-Altgeräte (WEEE-Richtlinie) unter www.pet-mate.com aufgerufen werden.

1. Einführung

Vielen Dank dafür, dass Sie sich für den Kauf der Cat Mate Elite Mikrochip Katzenklappe mit Zeitschaltuhr Funktion entschieden haben.

DIESE ANWEISUNGEN SORGFÄLTIG LESEN UND DIE KATZENKLAPPE VOR DEM EINBAUEN PROGRAMMIEREN/TESTEN.

Mit der Cat Mate Elite Katzenklappe mit Zeitschaltuhr Funktion gestattet den Zutritt von bis zu 9 Katzen. Es ermöglicht Ihnen auch die Austrittskontrolle Ihrer Haustiere mittels Timer oder 4-Wege-Verriegelung. Außerdem haben Sie die Möglichkeit, das Ausgangsverhalten von bis zu 3 einzelnen Katzen zu überwachen. Sie können dann sehen, wann Ihre Katze zuletzt durch die Klappe ein- oder austrat, und vor wie vielen Stunden Ihre Katze zuletzt die Klappe betätigte.

Diese Katzenklappe ist für alle gängigen Mikrochips geeignet. Sie kann jedoch auch mit einer I.D.-Marke (separat erhältlich) verwendet werden. Eine I.D.-Marke kann für Katzen ohne Mikrochip verwendet werden, oder wenn der Mikrochip Ihrer Katze defekt ist oder nicht gut positioniert ist.

Damit die von Ihnen gewählten Einstellungen nicht von Unbefugten leicht gestellt werden können, sind die Einstellasten so konstruiert, dass sie fest gedrückt werden müssen.

Wenn Sie einen Vorgang (ausgenommen Programmierung) an irgendeiner Stelle stoppen möchten, unterbricht das System nach 60 Sekunden.

Ihre Einstellungen werden nur dann gespeichert, wenn Sie auf die Taste 'PROG' drücken.

2. Einlegen der Batterien

- 2.1 Batteriedeckel abnehmen, indem dieser nach oben geschoben wird (siehe Abb. 2). Der Deckel schnappt damit aus seiner Halterung.
- 2.2 Wie in Abb. 3 gezeigt, 4 x AA (R6) Alkaline-Batterien einlegen, wobei zuerst die beiden am linken und rechten Ende gelegenen Zellen eingeschoben werden.
- 2.3 Die Katzenklappe prüft bis zu 60 Sekunden lang eigentätig ihre Funktion; danach sind dann nur mehr die Ein- und Austrittspfeile 'IN & OUT' im LCD-Display sichtbar. Die Klappe ist zum Programmieren bereit.

Fast alle handelsüblichen Batterien einschließlich aufladbare Batterien können verwendet werden, doch funktioniert die Batteriezustandsanzeige (⊙, Abb. 1) nur bei Verwendung von Alkali-Mangan-Batterien. Alkali-Mangan-Batterien von guter Qualität halten im Normalbetrieb ungefähr 12 Monate (wobei ihre tatsächliche Betriebsdauer nach der Zahl von Katzen und Klappenbetätigungen schwankt). Lithiumbatterien **DÜRFEN NICHT** verwendet werden.

3. Programmierung

Nun wird der Mikrochip (oder die I.D.-Marke) für jede Katze programmiert.

HINWEIS: Die Programmierungszeit ist begrenzt, und wenn jeder Schritt nicht innerhalb von ca. 15 Minuten abgeschlossen wird, kehrt das LCD in den normalen Anzeigemodus zurück.

Damit das jeweilige Mikrochip Ihrer Katze(n) durch die Klappe erkannt werden kann, müssen Sie wie folgt vorgehen:

- 3.1 5 Sekunden lang auf die Taste 'PROG' (⊙, Abb. 1) drücken und gedrückt halten, bis die Suchanzeige (⊙, Abb. 1) erscheint.
- 3.2 Nun werden "KATZE 1" und die nummer 1 blinken, und kurze Linien laufen um die ersten ZWEI NULLSTELLEN.
- 3.3 Zum Programmieren des Mikrochips Ihrer Katze diese anregen, langsam durch den Tunnel zu treten, wobei Sie die Klappe offen halten (siehe Abb. 4). Alternativ kann die I.D.-Marke Ihrer Katze programmiert werden, indem ihre Vorderseite in die Klappenöffnung platziert wird (Abb. 5).
- 3.4 Sobald die Programmierung wirksam wird, verschwinden die ZWEI NULLSTELLEN, und 'Pr1' beginnt zu blinken.
- 3.5 Auf die Taste 'PROG' drücken, womit Ihre Einstellung gespeichert wird.
Für weitere (bis zu maximal 9) Katzen die Schritte 3.1 bis 3.5 wiederholen.

4. Einbauanleitung (siehe Abb. 8a bis 16, seiten 4 und 5)

WICHTIG:

- **Die Auskleidung der Katzenklappe nicht beschneiden.**
- **Um sich zu vergewissern, dass der Mikrochip Ihrer Katze(n) richtig positioniert ist und korrekt funktioniert, empfehlen wir dringend, die Katzenklappe vor der Installation für alle Ihre Katzen zu programmieren (s. Abschnitt 3). Dann überprüfen, dass der Mikrochip Ihrer Katze die Arretierung bewirkt, wenn der Kopf der Katze sanft auf die Klappe gedrückt wird, wie in Abb. 6 gezeigt.**

4.1 Holztüren mit Dicke 0 - 50mm

- 4.1.1 Außenrahmen in gewünschter Position auf die Tür platzieren. Es empfiehlt sich, dass der untere Öffnungsrand sich ungefähr 150mm über dem Bodenniveau befindet (Abb. 8a). Bei höherem Einbau muss eventuell eine Stufe bereitgestellt werden, um der Katze den Eintritt zu erleichtern.

4.1.2 An der Außenlinie entlang zeichnen (Abb. 8a), dann mit einer elektrischen Stichsäge 4mm außerhalb der Linie schneiden (Abb. 8b).
Dabei auf senkrechten Schnittverlauf achten, ganz besonders bei dickeren Türen. Sicherstellen, dass der Innenrahmen ohne Widerstand in den Ausschnitt passt.

4.1.3 Dicke (t) der Türfüllung bestimmen (Abb. 10).

4.1.4 Innenrahmen in seiner Position halten und die 2 dafür bestimmten Schraublöcher markieren (Abb. 11).

4.1.5 Rahmen entfernen und in die Füllung Durchgangslöcher mit 6mm Durchmesser bohren.

4.1.6 Innenrahmen auf die Innenseite der Tür positionieren und Außenrahmen auf diesen schrauben, wobei die Schrauben für die Füllungsstärke (t) geeignet sein müssen, wie in Abb. 12 gezeigt. Falls erforderlich, die mitgelieferten Schrauben auf eine entsprechende Länge zurechtschneiden. Dann zwei Schraubenköpfe montieren.

4.2 UPVC/Metall-Türen mit Dicke 0 - 50mm

Türen, in denen Metallplatten eingebaut sind, können die Reichweite des Mikrochip-Lesegeräts reduzieren. Ob Metall vorhanden ist, können Sie prüfen, indem Sie ein kleines Loch in die Mitte der Stelle bohren, an der die Katzenklappe eingebaut werden soll.

Bei UPVC/Metall-Türen muss ein größerer Ausschnitt als bei Holztüren angefertigt werden, wobei dann die Katzenklappe wie folgt neu abgeglichen werden muss:

4.2.1 Außenrahmen in gewünschter Position auf die Tür platzieren. Es empfiehlt sich, dass der untere Öffnungsrand sich ungefähr 150mm über dem Bodenniveau befindet (Abb. 9a). Bei höherem Einbau muss eventuell eine Stufe bereitgestellt werden, um der Katze den Eintritt zu erleichtern.

4.2.2 An der AUSSERHALB des Rahmens entlang zeichnen (Abb. 9a). Mit einer elektrischen Stichsäge 12mm INNERHALB der Linie (Abb. 9b) schneiden.

4.2.3 Dicke (t) der Türfüllung bestimmen (Abb. 10).

4.2.4 Innenrahmen auf die Innenseite der Tür positionieren und Außenrahmen auf diesen schrauben, wobei die Schrauben für die Füllungsstärke (t) geeignet sein müssen, wie in Abb. 12 gezeigt. Falls erforderlich, die mitgelieferten Schrauben auf eine entsprechende Länge zurechtschneiden. SCHRAUBEN NICHT ZU STARK FESTZIEHEN, da das ein ordnungsgemäßes Schließen der Klappe verhindern kann - dazu stets einen Handschraubendreher verwenden. Dann zwei Schraubenköpfe montieren.

4.2.5 Die Batterien nach dem Einbau mindestens 2 Minuten lang entfernen. Damit wird nämlich die Katzenklappe für den Betrieb am neuen Verwendungsort automatisch abgeglichen.

4.3 Glasscheiben

4.3.1 Es wird empfohlen, von einem Glaser in der gewünschten Position einen Ausschnitt mit einem Durchmesser von 232mm vornehmen zu lassen und dann die Katzenklappe wie unten angegeben einzubauen. Manche Benutzer ziehen es vor, die Glasscheibe durch eine durchsichtige Kunststoffscheibe zu ersetzen und den Einbau wie in 4.1.1 bis 4.1.6 vorzunehmen.

Hinweis: In doppelt verglasten Scheiben oder Sicherheitsglas können keine Ausschnitte ausgeführt werden. In solchen Fällen muss eine neue Scheibe verwendet werden, wobei der Ausschnitt bereits vom Glaser vorgenommen wurde.

4.3.2 Dicke (t) der Türfüllung bestimmen (Abb. 10).

4.3.3 Die schwarze Schaumstoffdichtung ist nicht zur Verwendung mit Glas geeignet und muss entfernt werden. Falls gewünscht, kann der Außenrahmen mittels Silikon-Dichtmasse an der Glasfüllung abgedichtet werden.

4.3.4 Innenrahmen auf die Innenseite der Tür positionieren und Außenrahmen darauf schrauben, wobei die Schrauben für die Füllungsstärke (t) geeignet sein müssen, wie in Abb. 12 gezeigt. Falls erforderlich, die mitgelieferten Schrauben auf eine entsprechende Länge zurechtschneiden. SCHRAUBEN NICHT ZU STARK FESTZIEHEN, da das ein ordnungsgemäßes Schließen der Klappe verhindern kann - dazu stets einen Handschraubendreher verwenden. Dann die 2 Schraubenköpfe montieren.

4.4 Wandeinbau

Wenn Ihre Katzenklappe in eine Wand eingebaut werden soll, muss zusätzlich eine entsprechende Cat Mate Elite Wandauskleidung besorgt werden. Wenn die Wand über 100mm dick ist, muss dazu für jede um 50mm darübergehende Dicke jeweils eine weitere Wandauskleidung verwendet werden.

4.4.1 Eine rechteckige Wandöffnung mit einer Höhe von 205mm und einer Breite von 180mm anfertigen.

4.4.2 Batteriedeckel wie in Abb. 2 gezeigt vom Innenrahmen durch Hinaufdrücken entfernen.

4.4.3 Innenrahmenabdeckung durch Heraus-schrauben der 2 hinten am Innenrahmen befindlichen Schrauben entfernen (Abb. 13). *(Hinweis: Diese beiden Schrauben werden dann nicht mehr benötigt, da sie nicht mehr neuerlich eingeschraubt werden können.)* Dann die 2 unter dem Batteriedeckel angeordneten äußeren Schrauben entfernen und den Innenrahmen durch Herunterschwenken abnehmen (Abb. 14).

4.4.4 Die 2 Schraubenklipps mittels Zange vorsichtig entfernen (Abb. 10).

4.4.5 Innenrahmen zusammen mit der erforderlichen Anzahl von Wandauskleidungen an Innenwand einsetzen und mit 2 passenden Schrauben wie in Abb. 15 gezeigt in der vorgesehenen Position befestigen. *(Hinweis: Unter den Schraubenköpfen muss eine Unterlegscheibe (nicht mitgeliefert) angebracht werden.)* Falls gewünscht, können die Wandauskleidungen auch festgeklebt werden, doch reicht es normalerweise aus, wenn sie fest aufgeschoben werden.

4.4.6 Innenrahmenabdeckung mit 2 Schrauben wieder unter dem Batteriedeckel montieren, wobei sorgfältig darauf geachtet werden soll, dass die Stromdrähte nicht eingeklemmt werden. Den Batteriedeckel wieder aufsetzen.

4.4.7 Außenrahmen mit den 2 mitgelieferten 25mm Schrauben befestigen und dann die 2 Schraubenköpfe montieren.

5. Gewöhnung Ihrer Katze an die Verwendung der Katzenklappe (oder wenn sie ihre I.D.-Marke verloren hat)

Ihre Katze braucht eventuell etwas Zeit, um sich an ihre neue Katzenklappe zu gewöhnen. Zur Gewöhnung Ihrer Katze an das Ein- und Aus-treten durch die Katzenklappe kann diese auf den GEWÖHNUNGS-MODUS eingestellt werden. Zu diesem Zweck müssen die Taste 'PROG' gedrückt und niedergehalten und die Taste '4 WAY' innerhalb von 3 Sekunden kurz gedrückt werden.

Nach 5 Sekunden wird die Verriegelung entsperrt, und die Taste 'PROG' muss dann freigegeben werden. Die Anzeige 'EIN & AUS' blinkt.

Bitte beachten Sie, dass im GEWÖHNUNGS-MODUS die Klappe auch für andere Tiere offen ist.

Zum Verlassen des GEWÖHNUNGS-MODUS die Taste 'PROG' drücken und niederhalten und innerhalb von 3 Sekunden kurz die Taste '4 WAY' drücken. Nach 5 Sekunden wird die Klappe neuerlich verriegelt, und die Taste 'PROG' muss dann freigegeben werden.

Im Fall von sehr scheuen Katzen kann im GEWÖHNUNGS-MODUS Futter zum Anlocken benutzt werden, um die Katze zum Ein- und Aus-treten durch die Klappe zu ermuntern.

HINWEIS: Bei allen Katzen - insbesondere bei jungen Tieren - wird AUSDRÜCKLICH empfohlen, erst sicherzustellen, dass sie mit der Betätigung der Katzenklappe vertraut sind, bevor sie damit allein gelassen werden.

6. Betrachten des aktuellen Aufenthalts Ihrer Katze

Im LCD-Display kann auf einen Blick eingesehen werden, wo sich bis zu drei Katzen (1-3) gerade aufhalten.



Die Katze passierte die Klappe zuletzt, und zwar auf dem Weg ins dem Haus.



Die Katze passierte die Klappe zuletzt, und zwar auf dem Weg aus dem Haus.

Bitte beachten Sie, dass auf dem Display der aktuelle Aufenthaltsort Ihrer Katze nur auf diese allgemeine Weise angezeigt werden kann. Es wird damit nämlich durch das Erfassen der Öffnung der Klappe nur der letzte Durchgang der betreffenden Katze angezeigt. Die Ergebnisse können irreführend sein, wenn die Katze auch andere Eintritts- bzw. Austrittsmöglichkeiten hat, oder wenn etwa eine Katze einer anderen Katze ohne Schließung der Klappe dicht gefolgt ist; auch wenn eine Katze bloß den Kopf durch die Klappe hinein oder hinaus gestreckt hat, wird dies entsprechend erfasst, usw.

7. Betrachten, wann die Katze(n) zuletzt die Klappe betätigt hat/haben

- 7.1 Zur Überprüfung, vor wieviel Stunden und Minuten die Katzen 1, 2 oder 3 zuletzt die Katzenklappe benutzt haben, auf die Taste '+' drücken.
- 7.2 Im Display werden das Symbol für 'KATZE 1' und die Zahl der Stunden und Minuten, seit 'KATZE 1' die Klappe benutzt hat, angezeigt, und zwar für einen maximalen Zeitraum von 99 Stunden.
- 7.3 Zum Erhalt der gleichen Angaben über die Katzen 2 und 3 erneut auf '+' drücken.
- 7.4 Ein viertes Mal auf '+' drücken (oder 20 Sekunden warten), und das Display kehrt zu seiner normalen Anzeige zurück.

8. Zutrittsoptionen

Die verfügbaren Zutrittsoptionen sind untenstehend gezeigt.



Ein und Aus Die Katze(n) kann/können durch die Klappe ein- und austreten.



Nur Eingang Die Katze(n) kann/können durch die Klappe eintreten, doch nicht austreten.



Nur Ausgang Katze(n) kann/können durch die Klappe austreten, doch nicht eintreten



Verriegelt Katze(n) kann/können die Klappe nicht betätigen

Eine Zutrittsoption wie folgt wählen:

- 8.1 Die Taste '4 WAY' 5 Sekunden lang drücken, bis die Anzeige blinkt.
- 8.2 Wiederholt auf die Taste '4 WAY' drücken und damit die verfügbaren Zutrittsoptionen durchlaufen, bis die gewünschte Option erscheint.
- 8.3 Auf die Taste 'PROG' drücken, womit Ihre Einstellung gespeichert wird.

8.4 Einstellen der Schaltuhrsteuerung (Timer)/Uhr für ALLE Katzen

Wenn die Katzenklappe so eingestellt werden soll, dass ALLE Katzen in einem bestimmten Zeitraum eine vorbestimmte Zugangsoption haben, z. B. Ihre Katze über Nacht zwischen 19:00 Uhr und 06:00 Uhr im Haus bleiben soll, so müssen Sie zuerst entscheiden:

- a) Welche Verriegelungseinstellung WÄHREND des festgelegten Zeitraums gelten soll (im obigen Beispiel auf 'NUR EIN' beschränkt). Außerhalb des festgelegten Zeitraums gelten dann die in 8.1 bis 8.3 erfolgten Einstellungen.
- b) Wann der festgelegte Zeitraum beginnen soll (START - im obigen Beispiel um 19:00 Uhr).

- a) Wann der festgelegte Zeitraum enden soll (FINISH - im obigen Beispiel um 06:00 Uhr).
- d) Die aktuelle Uhrzeit muss bekannt sein.

Wie folgt verfahren:

HINWEIS: Wenn nach dem Drücken einer Taste mehr als 60 Sekunden verstreichen, kehrt das Display zur Normalanzeige zurück, und der Vorgang muss erneut begonnen werden.

- 8.4.1 Taste 'TIMER' 5 Sekunden lang drücken, bis die TIMER-Funktionsanzeige im Display blinkt.
- 8.4.2 Wiederholt auf die Taste '4 WAY' drücken, bis das gewünschte Symbol für die auszuwählende Zugangsoption erscheint: 'EIN & AUS', 'NUR EIN', 'NUR AUS', 'VERRIEGELT' oder 'OFF' (AUSGESCHALTET).
- 8.4.3 Auf die Taste 'PROG' drücken, womit Ihre Einstellung gespeichert wird.
- 8.4.4 Im Display wird die Uhrzeit angezeigt, wobei das Minutensymbol blinkt. Wiederholt auf die Taste '+' drücken, bis die aktuelle Minuteneinstellung angezeigt wird (z. B. 10, wenn die aktuelle Uhrzeit 12:10 Uhr ist).
- 8.4.5 Auf die Taste 'PROG' drücken, womit Ihre Einstellung gespeichert wird.
- 8.4.6 Im Display wird nun die Uhrzeit angezeigt, wobei das Uhrensymbol blinkt. Wenn zwischen der 24-Stunden-Uhr und der 12-Stunden-Uhr (AM/PM-Anzeigen) umgeschaltet werden soll, auf Taste 'TIMER' drücken.
- 8.4.7 Wiederholt auf die Taste '+' drücken, bis die aktuelle Stundeneinstellung angezeigt wird (z. B. 12, wenn die aktuelle Uhrzeit 12:10 Uhr ist).
- 8.4.8 Auf die Taste 'PROG' drücken, womit Ihre Einstellung gespeichert wird.
- 8.4.9 Im Display erscheint nun 'START', und die Minuten blinken. Auf die Taste '+' drücken, bis die aktuelle Minuteneinstellung angezeigt wird, (im obigen Beispiel '00'). Auf die Taste 'PROG' drücken, womit Ihre Einstellung gespeichert wird.
- 8.4.10 Dann die Stunden auf die gleiche Weise einstellen (im obigen Beispiel 19:00).
- 8.4.11 Im Display wird die 'FINISH'-Zeit (Ablaufzeit) angezeigt. Diese auf gleiche Weise wie die 'START'-Zeit einstellen. Auf die Taste 'PROG' drücken, womit Ihre Einstellung gespeichert wird.

Sobald der Timer eingestellt ist, wird die TIMER-Funktion (⑤, Abb. 1) auf dem Display angezeigt.

Wenn die zeitgesteuerte Verriegelung aktiv ist, blinkt das in 8.2 gewählte Symbol für die Zugangsoption langsam.

Zum Überprüfen der Timer-Einstellungen kurz auf die Taste 'TIMER' drücken und loslassen. Im Display werden nun die gewählte Zugangsoption und die "START"-Zeit angezeigt. Erneut auf die Taste 'TIMER' drücken und damit die 'FINISH'-Zeit (Ablaufzeit) anzeigen. Die Anzeige geht nach 5 Sekunden wieder auf die aktuelle Zeit zurück.

Beenden der Schaltuhr-Steuerung (Timer) und Rückkehr zur normalen Zugangsoption:

- 8.4.12 Taste 'TIMER' 5 Sekunden lang drücken.
- 8.4.13 Auf die Taste '4 WAY' drücken und die verfügbaren Optionen durchlaufen, bis 'OFF' (Ausgeschaltet) erscheint.
- 8.4.14 Zur fortgesetzten Erhaltung der aktuellen Uhrzeit 3 Mal auf die Taste 'PROG' drücken und zur normalen Anzeige zurückkehren.

9. Auswechseln der Batterie

Sobald sich die Batteriezustandsanzeige (③, Abb. 1) einschaltet, müssen Alkali-Mangan-Batterien ersetzt werden (siehe Abschnitt 2).

Nach dem Einlegen neuer Batterien ist zu beachten:

- Die Batteriezustandsanzeige kann bis zu 15 Minuten danach noch sichtbar bleiben.
- Klappe erkennt zwar alle Mikrochips und I.D.-Marken und speichert Verriegelungseinstellungen und Verriegelungszeiten, doch es MUSS DIE AKTUELLE UHRZEIT ERNEUT EINGESTELLT WERDEN (siehe Abschnitt 8.4).

10. Umprogrammieren einer Katze mit Mikrochip-Implantat oder einer I.D.-Marke

- 10.1 Die Taste 'PROG' 5 Sekunden lang drücken; nun wird die nächste nicht benutzte Katzennummer blinken, und Linien laufen um die ersten ZWEI NULLSTELLEN.
- 10.2 Auf '+' drücken, um die entsprechende Katzennummer zum Umprogrammieren oder die nächste verfügbare Katzennummer zu wählen. (Wenn 'P' neben der Katzennummer steht, wird damit angezeigt, dass hier bereits eine Katze programmiert ist. Eine Umprogrammierung wird jedoch wie folgt ausgeführt.)
- 10.3 Zum Programmieren des Mikrochips Ihrer Katze diese anregen, langsam durch den Tunnel zu treten, wobei Sie die Klappe offen halten (siehe Abb. 4). Alternativ, zum Programmieren einer Ersatz-I.D.-Marke deren Vorderseite in die Klappenöffnung platzieren (Abb. 5).
- 10.4 Die beiden drehenden ZWEI NULLSTELLEN verschwinden dann, und 'Pr' beginnt zu blinken.
- 10.5 Auf die Taste 'PROG' drücken, womit Ihre Einstellung gespeichert wird.
Für weitere (bis zu maximal 9) Katzen die Schritte 10.1 bis 10.5 wiederholen.

11. Rücksetzen auf werksseitige Einstellungen

Zum Zurücksetzen der Katzenklappe auf die Einstellungen zum Zeitpunkt ihres Kaufes die Taste '+' drücken und zirka 30 Sekunden lang gedrückt halten, bis alle Symbole auf dem LCD-Display erscheinen. Sobald die selbsttätige Überprüfung abgeschlossen ist, wird im Display nur das Symbol für 'EIN & AUS' angezeigt. Damit werden alle Mikrochip-, I.D.- und sämtliche anderen Einstellungen gelöscht. Es ist dann erforderlich des Mikrochip- und I.D.-Marken-Einstellungen neu zu programmieren (siehe Abschnitt 3).

12. Hochsicherheitsmodus

Diese Katzenklappe wird mit deaktiviertem Hochsicherheitsmodus geliefert, damit sich Ihre Katze leicht an ihre neue Klappe gewöhnen kann. In diesem Modus spricht die Klappe am schnellsten auf den Mikrochip der Katze an.

Sobald sich die Katze an die Verwendung der Katzenklappe gewöhnt hat, wird empfohlen, den Hochsicherheitsmodus zu aktivieren. Damit wird die Sicherheit gegen Eindringen von unerwünschten Katzen oder Waschbären aus der Nachbarschaft erhöht, während gleichzeitig die Batterielebensdauer verlängert wird.

Die Klappe kann wie folgt auf den Hochsicherheitsmodus ('Eon') umgeschaltet werden:

- 12.1 Die Taste 'PROG' drücken und gedrückt halten und innerhalb von 3 Sekunden kurz die Taste '+' drücken. Sobald im Display 'EOFF' oder 'Eon' angezeigt wird, die Taste 'PROG' freigeben.
- 12.2 Zwischen 'EOFF' und 'Eon' kann durch Drücken auf die Taste '4 WAY' hin- und hergeschaltet werden. Zur Speicherung der Einstellung auf 'PROG' drücken.

13. Fehlersuche

13.1 Katze verweigert die Verwendung der Klappe

Es kann manchmal einige Zeit dauern, bis eher scheue Katzen den Gebrauch der Katzenklappe erlernen - selbst dann, wenn sie bereits vorher eine andere Katzenklappe benutzt haben.

- Versuchen Sie es vorerst mit dem GEWÖHNUNGS-MODUS (siehe Abschnitt 5).
- Überprüfen, dass der Hochsicherheitsmodus deaktiviert ist, damit Ihre Katze die Klappe leichter verwenden kann (siehe Abschnitt 12).

13.2 Der Mikrochip der Katze lässt sich nicht programmieren

- Der Mikrochip Ihrer Katze kann eventuell defekt oder nicht gut positioniert sein. Kontaktieren Sie bitte den Pet Mate Kundenservice oder verwenden Sie eine Cat Mate I.D.-Marke.

13.3 Klappe reagiert nicht auf programmierte I.D.-Marke oder programmierten Mikrochip

- Überprüfen, dass der Mikrochip oder die I.D.-Marke Ihrer Katze die Entriegelung bewirkt, wenn der Kopf der Katze sanft auf die Klappe gedrückt wird, wie in Abb. 6 gezeigt.
- Wenn die Klappe in eine UPVC/Metall-Tür eingebaut wurde, sicherstellen, dass die Größe des Ausschnitts stimmt (siehe Abschnitt 4.2).
- Wenn die Klappe in eine UPVC/Metall-Tür eingebaut wurde, überprüfen, dass sie neu abgeglichen ist: Zu diesem Zweck die Batterien mindestens 2 Minuten lang herausnehmen.
- Überprüfen Sie, dass der 4-Wege-Verschluss für den Zutritt in der gewünschten Richtung programmiert ist (siehe Abschnitt 8).
- Sicherstellen, dass keine zeitgesteuerte Verriegelung aktiviert ist (wird durch eine blinkende 4-Wege-Verriegelungseinstellung angezeigt). Falls erforderlich, die zeitgesteuerte Verriegelung beenden (siehe Abschnitte 8.4.12 bis 8.4.14).
- Der Hochsicherheitsmodus ist wahrscheinlich aktiviert worden (durch "Eon" auf dem Display angezeigt). Die Klappe nicht bewegen, bis "Eon" verschwunden ist.
- Überprüfen, dass die Batterien in der richtigen Richtung eingelegt sind (Abb.3) und die Batteriezustandsanzeige ((3) , Abb. 1) nicht angezeigt ist.
- Bei Verwendung einer I.D.-Marke überprüfen, dass sie richtig am Halsband der Katze befestigt ist (Abb. 7).
- Wenn möglich, die Funktion mit einer anderen programmierten I.D.-Marke bzw. einem anderen programmierten Mikrochip überprüfen, um eine eventuelle Fehlfunktion bei einer I.D.- Marke oder einem Mikrochip feststellen zu können.
- Überprüfen, dass die Katzenklappe in der entsprechenden Höhe montiert ist (siehe Abschnitt 4).
- Wenn damit keine Abhilfe geschaffen wird, die Batterien entfernen und mindestens 5 Minuten warten. Batterien wieder einlegen und die Katzenklappe auf die WERKSSEITIGEN EINSTELLUNGEN zurücksetzen (siehe Abschnitt 11).

13.4 Klappe nach Betätigung nicht voll geschlossen

- Überprüfen, dass die 2 Halteschrauben des Rahmens der Katzenklappe nicht zu fest angezogen sind. Versuchsweise die Schrauben ein wenig lockern.
- In seltenen Fällen kann ein ungewöhnlicher Vorfall die elektronische Funktion beeinträchtigen. Ein solches Problem wird sich normalerweise innerhalb von 30 Minuten von selbst bereinigen. Sollte es jedoch weiterhin auftreten, so nehmen Sie die Batterien heraus und legen Sie diese 30 Minuten später wieder ein. Die Verriegelung wird dann wieder wie gewünscht arbeiten.

13.5 Schwierigkeiten beim Einstellen von gewünschten Funktionen/Zeiten

- Einstell Tasten müssen fest gedrückt werden.
- Nach Vornahme jeder Änderung muss zum Speichern der neuen Einstellung stets die Taste 'PROG' gedrückt werden.

13.6 Display "bleibt stecken"

- Batterien herausnehmen und 5 Minuten später wieder einsetzen.
- Wenn das Display weiterhin stecken geblieben ist, die Katzenklappe auf die WERKSSEITIGEN EINSTELLUNGEN zurücksetzen (siehe Abschnitt 11).

13.7 Klappe verriegelt sich nicht

- Überprüfen, dass sich die Klappe nicht im GEWÖHNUNGS-MODUS befindet (wird durch langsam blinkende Pfeile angezeigt).
- 30 Minuten warten, bis die Selbstkorrektur wirksam wird.

F

IMPORTANT CONSIGNES DE SÉCURITÉ

- Veuillez lire attentivement toutes les instructions avant d'installer ou d'utiliser ce produit.
 - Enregistrez votre achat en ligne à l'adresse www.pet-mate.com (voir la garantie).
 - Ne laissez pas les enfants jouer avec ce produit.
 - Inspectez régulièrement le produit pour vous qu'il fonctionne correctement et qu'il n'est pas endommagé. Ne l'utilisez pas en cas de doute.
 - Ce produit est conçu pour être uniquement utilisé avec les animaux de compagnie, comme décrit dans ces instructions.
 - Le système de verrouillage de cette porte/chatière n'est pas censé être un dispositif de sécurité
 - Cette porte/chatière ne résiste pas au feu et ne doit pas être utilisée en cas de risque de propagation d'incendie.
 - L'installateur de cette porte/chatière est responsable de se conformer à toutes les réglementations du bâtiment pertinentes.
 - Prenez les précautions qui s'imposent pendant l'installation de cette porte/chatière. Respectez les consignes de sécurité pour tous les outils et portez un équipement de protection individuelle approprié.
 - Éliminez tous les matériaux d'emballage dans le respect des lois environnementales.
- REMARQUE : les sacs en plastique peuvent provoquer la suffocation - tenez-les à l'écart des enfants et des animaux.*

CONSERVEZ CES INSTRUCTIONS

CE Pet Mate Ltd. déclare par la présente que ce produit est conforme aux exigences essentielles et aux autres dispositions pertinentes des directives de l'UE. Toutes les déclarations de conformité peuvent être consultées à l'adresse www.pet-mate.com/eudoc.



IMPORTANT: mettez au rebut les produits endommagés/défectueux/en fin de vie en respectant les réglementations locales en vigueur dans votre pays. **UE:** reportez-vous à la section Modalités et conditions de la directive européenne relative aux déchets d'équipements électriques et électroniques (DEEE) sur www.pet-mate.com pour plus d'informations.

1. Introduction

Merci d'avoir choisi la chatière micropuce avec fonction de temporisation de Cat Mate Elite. **VEUILLEZ LIRE ATTENTIVEMENT CES INSTRUCTIONS ET PROGRAMMER/ TESTER LA CHATIÈRE AVANT DE L'INSTALLER.**

La chatière micropuce avec fonction de temporisation de Cat Mate Elite permet de contrôler les allées et venues d'un maximum de 9 chats dans votre propriété. Elle vous permet également de contrôler les sorties de tous vos animaux de compagnie à l'aide d'une minuterie ou d'un verrou à 4 positions. En outre, elle vous permet de surveiller les mouvements d'un maximum de 3 chats individuels - en effet, elle vous indique l'heure de la dernière entrée ou sortie de votre chat par la chatière, ainsi que le nombre d'heures écoulées depuis qu'il l'a utilisée pour la dernière fois.

Cette chatière convient aux modèles de puces les plus courants. Le système peut également être commandé par un disque d'identification (disponible séparément). Vous pourrez choisir d'utiliser un disque d'identification pour les chats ne disposant pas de puces électroniques ou au cas où la micropuce de votre chat serait défectueuse ou mal positionnée.

Afin d'éviter que vos réglages ne soient facilement modifiés, nous avons conçu les touches de commandes de sorte qu'elles nécessitent une pression ferme our fonctionner.

Si vous souhaitez arrêter n'importe quelle tâche (sauf la programmation) à un stade quelconque, le système s'arrêtera au bout de 60 secondes.

Les réglages ne seront sauvegardés que si vous appuyez sur la touche « PROG ».

2. Installation des piles

- 2.1 Retirez le couvercle de la pile en le poussant vers le haut (voir la fig. 2). Le couvercle sautera.
- 2.2 Insérez 4 piles alcalines AA (R6) comme illustré, (fig. 3), en faisant glisser les 2 batteries du fond en premier.
- 2.3 La chatière effectuera un test automatique pendant un maximum de 60 secondes, ce n'est qu'après ce contrôle que les flèches d'entrée et de sortie s'afficheront sur l'écran à cristaux liquides. La chatière sera alors prête à être programmée.

Tous les types de piles populaires peuvent être utilisés, y compris les piles rechargeables, mais le témoin de pile faible (③, fig. 1) ne fonctionnera qu'avec les piles alcalines. Les piles alcalines de bonne qualité devraient durer environ 12 mois (selon le nombre de chats et l'utilisation). L'utilisation de piles au lithium est **ABSOLUMENT PROSCRITE**.

3. Programmation

L'étape suivante consiste à programmer la puce (ou le disque d'identification) appartenant à chaque chat.

REMARQUE : La séquence de programmation est un moment important et sensible. Si chaque étape n'est pas effectuée sous 15 minutes environ, l'écran LCD reviendra à l'affichage normal.

Pour que la chatière reconnaisse la micropuce de votre(vos) chat(s), vous devez procéder comme suit :

- 3.1 Maintenez le bouton « PROG » enfoncé pendant 5 secondes (①, fig. 1) jusqu'à ce que le témoin de recherche (②, fig. 1) s'affiche.
- 3.2 Les mentions « CAT1 » et numéro 1 clignoteront - et vous verrez des lignes tourner autour des deux premier « ZÉROS ».
- 3.3 Pour programmer la micropuce de votre chat, encouragez ce dernier à passer lentement dans le tunnel en maintenant la chatière ouverte comme illustré à la fig. 4. Vous pouvez également programmer le disque d'identification de votre chat et placer la partie avant du disque dans l'ouverture du tunnel (fig. 5).
- 3.4 Lorsque le système sera programmé, les deux « ZÉROS » disparaîtront et la mention « Pr1 » clignotera.
- 3.5 Appuyez sur la touche « PROG » pour sauvegarder le réglage.
Pour ajouter des chats supplémentaires, jusqu'à un maximum de 9, répétez les étapes 3.1 à 3.5.

4. Instructions de montage (voir les figs. 8a à 16, pages 4 et 5)

IMPORTANT:

- **Ne coupez pas le tunnel de la chatière.**
- **Pour vérifier que la micropuce de votre chat est bien positionnée et fonctionne correctement, nous vous recommandons vivement de programmer la chatière pour tous vos chats avant installation (voir la section 3). Vérifiez ensuite que la puce du chat déclenche le verrou lorsque le chat pousse doucement sa tête contre la chatière comme illustré à la fig. 6.**

4.1 Portes en bois de 0-50mm d'épaisseur

- 4.1.1 Placez le cadre extérieur dans la position souhaitée sur le sol. Nous vous recommandons de placer le bas de l'ouverture à environ 150mm au-dessus du niveau du sol. (fig. 8a). Si vous devez installer la chatière plus haut, prévoyez une marche pour aider votre chat à entrer.

4.1.2 Marquez autour de l'ouverture (fig.8a), puis coupez à 4mm à l'extérieur de la ligne à l'aide d'une scie sauteuse. (fig. 8a).

Veillez à ce que la découpe soit bien d'équerre par rapport à la porte, notamment dans le cas des portes épaisses. Veillez à ce que l'orifice soit de taille suffisante pour le cadre intérieur.

4.1.3 Déterminez l'épaisseur du panneau de porte, (t). (fig. 10).

4.1.4 En maintenant le cadre intérieur et le cadre extérieur en place, marquez les trous des 2 vis. (fig. 11).

4.1.5 Retirez les cadres et percez des trous de 6mm de diamètre pour le passage des vis dans le panneau.

4.1.6 Positionnez le cadre intérieur sur le côté intérieur de la porte et vissez le cadre extérieur dessus en utilisant des vis adaptées à l'épaisseur du panneau, (t), comme illustré à la fig. 12. Si nécessaire, découpez les vis fournies à la bonne longueur. Enfin, placez-les deux capuchons sur les vis.

4.2 Portes en UPVC/métal de 0-50mm d'épaisseur

Les portes constituées de panneaux métalliques peuvent réduire la portée du lecteur de micropuce. Vous pouvez tester les panneaux métalliques en perçant un petit trou d'essai au milieu de l'emplacement prévu pour la chatière.

Pour les portes en UPVC/métal, il est essentiel de couper un trou plus large que pour les portes en bois et de régler la chatière comme ci-dessous :

4.2.1 Placez le cadre extérieur dans la position souhaitée sur le sol. Nous vous recommandons de placer le bas de l'ouverture à environ 150mm au-dessus du niveau du sol. (fig. 9a). Si vous devez installer la chatière plus haut, prévoyez une marche pour aider votre chat à entrer.

4.2.2 Marquez autour de l'EXTÉRIEUR du cadre. (fig. 9a). À l'aide d'une scie sauteuse électrique, découpez à 12 mm À L'INTÉRIEUR de la ligne (fig. 9b).

4.2.3 Déterminez l'épaisseur du panneau de porte, (t). (fig. 10).

4.2.4 Positionnez le cadre intérieur sur le côté intérieur de la porte et vissez le cadre extérieur dessus en utilisant des vis adaptées à l'épaisseur du panneau, (t), comme illustré à la fig. 12. Si nécessaire, découpez les vis fournies à la bonne longueur. NE SERREZ PAS LES VIS TROP FORT, car cela pourrait empêcher la chatière de se fermer correctement - utilisez un tournevis manuel. Enfin, placez-les deux capuchons sur les vis.

4.2.5 Retirez les piles pendant au moins 2 minutes après installation. Cela permettra à la chatière de se recalibrer pour son nouvel emplacement.

4.3 Panneaux en verre

4.3.1 Nous vous recommandons de faire découper par un vitrier un trou de 232mm de diamètre à la position requise, puis d'insérer la chatière comme précisé ci-dessous. Si vous préférez, il est également possible de remplacer le panneau de verre par un panneau en plastique transparent et d'installer la chatière en suivant les instructions 4.1.1 à 4.1.6.

Remarque : Il n'est pas possible de découper un trou dans du double vitrage ni dans du verre trempé. Vous aurez besoin de vous procurer auprès de votre vitrier un nouveau panneau déjà découpé.

4.3.2 Déterminez l'épaisseur du panneau de porte, (t). (fig. 10).

4.3.3 Le joint en mousse noire ne convient pas au verre et devra être retiré. Si vous le souhaitez, il est possible d'étanchéiser le cadre extérieur au moyen d'un mastic à base de silicone.

4.3.4 Positionnez le cadre intérieur sur le côté intérieur de la porte et vissez le cadre extérieur dessus en utilisant des vis adaptées à l'épaisseur du panneau, (t), comme illustré à la fig. 12. Si nécessaire, découpez les vis fournies à la bonne longueur. NE SERREZ PAS LES VIS TROP FORT, car cela pourrait empêcher la chatière de se fermer correctement - utilisez un tournevis manuel. Enfin, placez-les deux capuchons sur les vis.

4.4 Fixation murale

Si vous installez votre chatière dans un mur, vous aurez besoin d'acheter des revêtements muraux Cat Mate Elite. Vous aurez besoin d'1 revêtement mural pour chaque 50mm d'épaisseur de la paroi au-delà de 100mm.

4.4.1 Découpez un rectangle de 205mm de hauteur par 180mm de largeur dans votre mur.

4.4.2 Retirez le couvercle de la pile du cadre intérieur en poussant vers le haut comme illustré (fig. 2).

4.4.3 Retirez le couvercle du cadre intérieur en désertant les 2 vis à l'arrière du cadre intérieur (fig. 8). *(Remarque : vous pouvez mettre ces deux vis au rebut, car il sera impossible de les réinstaller).* Ensuite, retirez les 2 vis extérieures sous le couvercle de la pile et ôtez le cadre intérieur en le faisant pivoter vers le bas. (fig. 14).

4.4.4 Retirez avec précautions les 2 clips des vis avec des pinces. (fig. 15).

4.4.5 Installez le cadre intérieur assemblé avec un nombre adéquat de cache-découpe, en fixant l'ensemble à l'intérieur du mur au moyen de 2 vis adéquates, comme illustré à la fig. 11. *(Remarque : vous aurez besoin de placer une rondelle (non fournie) sous la tête des vis).* Si nécessaire, il est possible de coller les cache-découpe en place, bien qu'il suffise habituellement de les pousser fermement.

4.4.6 Fixez à nouveau le couvercle du cadre intérieur au moyen des 2 vis situées sous le couvercle de la pile en veillant à ne pas pincer les fils électriques. Remettez le couvercle de la pile en place.

4.4.7 Fixez au cadre extérieur en utilisant les 2 vis de 25mm fournies et enfin, placez-les 2 capuchons sur les vis.

5. Comment habituer votre chat à utiliser la chatière (ou comment faire s'il a perdu son disque d'identification)

Votre chat pourra mettre quelque temps à s'habituer à sa nouvelle chatière. Pour habituer votre chat à entrer et sortir par la chatière, il est possible de régler cette dernière en « MODE D'ENTRAÎNEMENT » en maintenant la touche « PROG » enfoncée et en appuyant brièvement sur la touche « 4 WAY » dans un délai de 3 secondes.

Après 5 secondes, le verrou se débloquera et on devra relâcher le bouton « PROG ». Le symbole « IN & OUT » (Entrée & sortie) clignotera.

Sachez néanmoins qu'en « MODE D'ENTRAÎNEMENT », votre chatière laissera également passer les autres animaux.

Pour quitter le « MODE D'ENTRAÎNEMENT », maintenez enfoncé le bouton « PROG » et dans un délai de 3 secondes, appuyez brièvement sur le bouton « 4-WAY ». Après 5 secondes, la chatière se verrouillera à nouveau et on devra relâcher le bouton « PROG ».

Pour les chats très hésitants, placez la chatière en « MODE D'ENTRAÎNEMENT » et utilisez de la nourriture pour encourager l'animal à entrer et sortir par la chatière.

REMARQUE : nous vous recommandons de NE PAS laisser les chats, en particulier les chatons, utiliser la chatière seuls tant que vous ne serez pas absolument sûr qu'ils maîtrisent son fonctionnement.

6. Localisation de votre chat

L'affichage à cristaux liquides permet de localiser d'un coup d'œil jusqu'à 3 chats.



Le dernier chat qui est passé par la chatière pour entrer dans la maison.



Le dernier chat qui est passé par la chatière pour sortir de la maison.





Veillez noter que cet affichage ne vous donne qu'une simple indication de la localisation de votre chat. La chatière détermine la localisation de votre animal en enregistrant ses derniers passages. Cette indication peut être incorrecte si le chat a à sa disposition une autre voie d'entrée/sortie de la maison ou s'il a suivi un autre animal qui est passé par la chatière, s'il a simplement sorti le bout de son museau, etc.

7. Visualisation du temps écoulé depuis la dernière utilisation de la chatière par le(s) chat(s)

1. Pour savoir combien d'heures et de minutes se sont écoulées depuis que les chats 1, 2 ou 3 ont utilisé la chatière pour la dernière fois, appuyez sur la touche « + ».
2. L'écran affichera le symbole correspondant au Chat 1 et le nombre d'heures et de minutes écoulées depuis qu'il a utilisé la chatière (jusqu'à un maximum de 99 heures).
3. Appuyez à nouveau sur « + » pour obtenir des indications similaires sur les chats 2 et 3.
4. Appuyez sur « + » une quatrième fois (ou patientez 20 secondes) pour revenir à l'affichage normal.

8. Options d'accès

Les options d'accès disponibles sont indiquées ci-dessous.

 Entrée & sortie (« In & Out »)	Votre(vos) chat(s) peut(peuvent) maintenant entrer et sortir par la chatière
 Entrée seulement (« In Only »)	Vos chats peuvent entrer par la chatière mais ne peuvent pas sortir
 Sortie seulement (« Out Only »)	Les chats peuvent sortir par la chatière, mais ne peuvent pas entrer
 Verrouillée (« Locked »)	Les chats ne peuvent pas utiliser la chatière

Sélectionnez une option d'accès comme suit :

- 8.1 Maintenez la touche « 4 WAY » enfoncée pendant 5 secondes jusqu'à ce que l'affichage clignote.
- 8.2 Appuyez plusieurs fois sur la touche « 4 WAY » pour faire défiler les options d'accès disponibles, jusqu'à ce que vous trouviez celle que vous recherchez.
- 8.3 Appuyez sur la touche « PROG » pour sauvegarder le réglage.

8.4 Réglage du temporisateur/de l'horloge pour TOUS les chats

Si vous souhaitez configurer votre chatière de sorte que TOUS les chats aient une option d'accès particulière, sur une période de temps donnée, par exemple, si vous souhaitez empêcher vos chats de sortir entre 19h00 et 06h00, il vous faudra d'abord décider :

- a) Quel type de verrou vous souhaitez appliquer durant la période en question, (dans l'exemple ci-dessus, il s'agira de « IN ONLY » - Entrée seulement). En dehors de la période temporisée, le réglage de verrouillage décrit de 8.1 à 8.3 s'appliquera.

- b) À quel moment la période en question devra démarrer (« START ») (dans l'exemple ci-dessus 19h00).
- c) À quel moment la période en question devra se terminer (« FINISH ») (dans l'exemple ci-dessus 06h00).

d) Vous aurez également besoin de connaître l'heure actuelle.

Veillez procéder comme suit :

REMARQUE : si vous n'appuyez sur aucune touche pendant plus de 60 secondes, l'affichage se replacera en mode normal et il vous faudra recommencer.

- 8.4.1 Appuyez sur la touche « TIMER » pendant 5 secondes jusqu'à ce que le témoin de fonction de minuterie clignote.
- 8.4.2 Appuyez plusieurs fois sur la touche « 4 WAY » pour choisir entre les options d'accès suivantes : « IN & OUT » (Entrée & sortie), « IN ONLY » (Entrée seulement), « OUT ONLY » (Sortie seulement), « LOCKED » (Verrouillée) ou « OFF » (ARRÊT).
- 8.4.3 Appuyez sur la touche « PROG » pour sauvegarder le réglage.
- 8.4.4 L'écran affichera l'heure avec le symbole des minutes qui clignotera. Appuyez plusieurs fois sur la touche « + » jusqu'à obtention du réglage correct des minutes (c'est à dire 10 s'il est actuellement 12h10).
- 8.4.5 Appuyez sur la touche « PROG » pour sauvegarder le réglage.
- 8.4.6 L'écran affichera maintenant l'heure avec le symbole des heures qui clignotera. Si vous désirez permuter entre un affichage 24 heures et/ou 12 heures, appuyez sur la touche « TIMER ».
- 8.4.7 Appuyez plusieurs fois sur la touche « + » jusqu'à obtention du réglage correct des heures (par exemple, 12 s'il est actuellement 12h10).
- 8.4.8 Appuyez sur la touche « PROG » pour sauvegarder le réglage.
- 8.4.9 L'écran affichera la mention « START » et les minutes clignoteront. Appuyez sur la touche « + » jusqu'à obtention du réglage correct des minutes, (dans l'exemple ci-dessus « 00 »). Appuyez sur la touche « PROG » pour sauvegarder le réglage.
- 8.4.10 Puis, réglez les heures de la même manière (dans l'exemple ci-dessus, 19h00).
- 8.4.11 L'écran affichera l'heure d'arrêt (« FINISH »). Réglez-la de la même manière que pour l'heure de démarrage. N'oubliez pas d'appuyer sur « PROG » pour sauvegarder le réglage.

Lorsque la minuterie sera réglée, le témoin de fonction de minuterie (Ⓢ, fig. 1) s'affichera à l'écran.

Lorsque le verrou temporisé est actif, le symbole correspondant à l'option d'accès choisie en 8.2 clignote lentement.

Pour vérifier le réglage de la minuterie, appuyez brièvement sur la touche « TIMER » et relâchez-la. L'écran affichera l'option d'accès temporisée sélectionnée et l'heure de démarrage. Appuyez à nouveau sur la touche « TIMER » pour faire apparaître l'heure d'arrêt (« FINISH »). L'affichage reviendra à l'heure actuelle après 5 secondes.

Pour annuler le contrôle temporisé et revenir à l'option d'accès normale :

- 8.4.12 Appuyez sur la touche « TIMER » pendant 5 secondes.
- 8.4.13 Appuyez sur la touche « 4 WAY » et refaites défiler les options jusqu'à ce que vous arriviez à « OFF » (arrêt).
- 8.4.14 Appuyez 3 fois sur la touche « PROG » pour conserver l'heure actuelle et revenir à l'affichage normal.

9. Changement de la pile

Lorsque le témoin de pile faible (Ⓢ, fig. 1) s'allume, cela signifie qu'il est nécessaire de changer les piles alcalines. (Voir la section 2).

À noter, après l'insertion de piles neuves :

- Le témoin de pile faible peut rester allumé jusqu'à 15 minutes.
- La chatière mémoriserait toutes les micropuces et les disques d'identification, les paramètres de verrouillage et les heures de temporisation, mais IL SERA NÉCESSAIRE DE RÉGLER L'HEURE À NOUVEAU. (Voir la section 8.4).

10. Reprogrammation de la micropuce ou du disque d'identification d'un chat

10.1 Appuyez sur le bouton « PROG » pendant 5 secondes, le numéro de chat suivant inutilisé se mettra à clignoter et des lignes en mouvement apparaîtront autour des deux premiers « ZÉROS ».

10.2 Appuyez sur la touche « + » pour sélectionner le numéro de chat approprié que vous souhaitez reprogrammer ou sélectionnez le prochain numéro de chat suivant disponible. (Un « P » à côté du numéro indique qu'il a déjà été programmé, mais vous pourrez le reprogrammer comme suit).

10.3 Pour programmer la micropuce de votre chat, encouragez ce dernier à passer lentement dans le tunnel en maintenant la chatière ouverte comme illustré à la fig. 4. Vous pouvez également programmer un disque d'identification de remplacement, et placer la partie avant du disque dans l'ouverture du tunnel (fig. 5).

10.4 Les deux « ZÉROS » en rotation disparaîtront ; la mention « Pr » clignotera.

10.5 Appuyez sur la touche « SET » pour sauvegarder le réglage.

Pour ajouter des chats supplémentaires, jusqu'à un maximum de 9, répétez les étapes 10.1 à 10.5.

11. Réinitialisation d'usine

Pour réinitialiser la chatière et revenir au réglage d'usine, maintenez le bouton « + » enfoncé pendant environ 30 secondes jusqu'à ce que tous les symboles s'affichent à l'écran. Après une période d'autotest, le symbole « IN & OUT » (Entrée & sortie) sera le seul visible sur l'écran. Cette procédure effacera tous les puces / disques d'identification et tous les autres paramètres. Vous devrez ensuite reprogrammer les puces / disques d'identification (voir la section 3).

12. Mode haute sécurité

Cette chatière est fourni avec le mode haute sécurité désactivé, pour que votre chat s'habitue plus facilement à sa nouvelle chatière. Dans ce mode, la chatière a le délai de réponse le plus rapide à la puce du chat.

Une fois que le chat se sera habitué à l'utilisation de la chatière, il est recommandé d'activer le mode haute sécurité. Celui-ci permet d'accroître la sécurité en empêchant l'entrée des nuisibles et des chats du voisinage et d'allonger la durée de vie de la batterie.

Pour activer le mode haute sécurité (« Eon »), procédez comme suit :

12.1 Maintenez le bouton « PROG » enfoncé et, dans un délai de 3 secondes, appuyez brièvement sur le bouton « + ». Lorsque l'affichage indique « EOFF » ou « Eon », relâchez le bouton « PROG ».

12.2 Vous pouvez permuter entre « EOFF » et « Eon » en appuyant sur le bouton « 4 WAY ». Appuyez sur « PROG » pour sauvegarder le réglage.

13. Dépannage

13.1 Le chat n'utilise pas la chatière

Il faut parfois un certain temps pour que les chats timides apprennent à se servir de la chatière - même s'ils en ont déjà utilisée une auparavant.

- Commencez par utiliser le « MODE D'ENTRAÎNEMENT » (voir la section 5).
- Vérifiez que le mode haute sécurité est désactivé, pour que votre chat s'habitue plus facilement à utiliser la chatière (voir la section 12).

13.2 La micropuce du chat ne se programme pas

- Il se peut que la micropuce de votre chat soit défectueuse ou mal positionnée. Contactez le service client de Pet Mate ou utilisez un disque d'identification Cat Mate.

13.3 La chatière ne s'ouvre pas en réponse à une puce ou un disque d'identification programmé

- Vérifiez que la micropuce ou le disque d'identification actionne bien la serrure lorsque le chat pousse doucement sa tête contre la chatière comme illustré à la fig. 6.

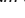
- Si la chatière est montée dans une porte en UPVC/métal, veillez à ce qu'une découpe de taille correcte ait été effectuée (voir la section 4.2).

- Lorsqu'elle est montée sur une porte en UPVC/métal, vérifiez que l'unité ait bien été recalibrée en enlevant les piles pendant au moins 2 minutes.

- Vérifiez que le verrou à 4 positions est programmé pour permettre l'accès dans la direction souhaitée (voir la section 8).

- Vérifiez qu'un verrou temporisé ne soit pas actif (ce dont témoignera le clignotement du réglage 4 positions). Si nécessaire, annulez le verrou temporisé, (voir les sections 8.4.12 à 8.4.14).

- Il se peut que le mode haute sécurité ait été activé (ce qui est indiqué par la mention « Eon » à l'écran). Ne déplacez pas la chatière, jusqu'à ce que la mention « Eon » disparaisse.

- Vérifiez que les piles soient correctement orientées (fig.3) et que le témoin de pile faible (), fig.1) ne soit pas affiché.

- Si vous utilisez un disque d'identification, vérifiez qu'il soit correctement installé sur le collier du chat (fig. 7).

- Si possible, essayez de la faire fonctionner avec un autre disque d'identification / une autre puce pour vérifier que le problème ne se situe pas au niveau du disque / de la puce.

- Vérifiez que la chatière soit positionnée à la bonne hauteur (voir la section 4).

- Si rien ne règle le problème, retirez les piles et patientez pendant un minimum de 5 minutes. Remettez les piles en place, puis effectuez une réinitialisation d'usine (voir la section 11).

13.4 La chatière ne s'est pas complètement fermée

- Vérifiez que le cadre de la chatière ne soit pas trop serré avec les 2 vis de fixation. Essayez de desserrer légèrement les vis.

- Il peut arriver très occasionnellement qu'il s'agisse d'une anomalie électronique, qui se corrigera normalement d'elle-même dans les 30 minutes. S'il persiste, retirez les piles pendant 30 minutes avant de les remettre en place, le verrou devrait fonctionner normalement ensuite.

13.5 Difficultés pour régler les fonctions requises/l'heure

- Il est nécessaire d'appuyer fermement sur les touches.
- N'oubliez pas d'appuyer sur la touche « PROG » après toute modification pour sauvegarder le réglage.

13.6 L'affichage se fige

- Retirez les piles pendant 5 minutes, puis remettez-les en place.
- Si l'écran est toujours figé, effectuez une réinitialisation d'usine (voir la section 11).


13.7 La chatière ne se verrouille pas

- Vérifiez que la chatière ne soit pas en « MODE D'ENTRAÎNEMENT » (clignotement lent des flèches).
- Patientez 30 minutes pour la correction automatique.

INSTRUCCIONES IMPORTANTES DE SEGURIDAD

- Lea todas las instrucciones antes de instalar o utilizar este producto.
- Registre su compra en línea en www.pet-mate.com (consulte la garantía).
- No permita jugar a los niños con este producto.
- Inspeccione el producto regularmente para observar que funciona correctamente y no hay daños. No lo utilice si tiene dudas.
- Este producto se ha diseñado para el uso con mascotas exclusivamente, como se describe en estas instrucciones.
- El sistema de cierre de esta gatera no se ha diseñado como dispositivo de seguridad.
- Esta gatera no es resistente al fuego y no se deberá utilizar en lugares donde exista el riesgo de propagación de fuego.
- El instalador de esta gatera es responsable de cumplir todos los reglamentos de construcción oportunos.
- Durante la instalación de esta gatera, tome las precauciones apropiadas. Siga las instrucciones de seguridad de todas las herramientas y utilice equipo apropiado de protección personal.
- Elimine apropiadamente todo el material de embalaje. *NOTA: Las bolsas de plástico pueden causar asfixia - manténgalas alejadas de los niños y los animales.*

CONSERVE ESTAS INSTRUCCIONES

 Por el presente, Pet Mate Ltd. declara que este producto cumple los requisitos esenciales y demás provisiones oportunas de las Directivas UE. Todas las Declaraciones de Conformidad (DoC) pueden verse en www.pet-mate.com/eudoc.

 **IMPORTANTE:** Elimine los productos dañados/defectuosos/gastados en conformidad con los reglamentos locales aplicables en su país. **UE:** Para más información, consulte la sección de Términos y Condiciones, Directiva sobre Residuos de Aparatos Eléctricos y Electrónicos (RAEE) en www.pet-mate.com.

1. Introducción

Gracias por elegir la gatera de Microchip con control de tiempo de Cat Mate Elite.

LEA ESTAS INSTRUCCIONES ATENTAMENTE Y programe/COMPRUEBE LA GATERA ANTES DE INSTALARLA.

La gatera de Microchip con control de tiempo de Cat Mate Elite permite la entrada de hasta 30 gatos en su vivienda. También le permite controlar la salida de todas sus mascotas utilizando un Timer/reloj o cerrojo de 4 direcciones. Además, le permitirá monitorizar los movimientos de hasta 3 gatos individuales - mostrándole si su gato entró o salió por la gatera la última vez, y cuántas horas han pasado desde que su gato utilizó la gatera por última vez.

Esta gatera es apta para todos los microchips comunes. Alternativamente, puede ser operada mediante un disco de I.D. (disponible por separado). Podría preferir el uso de un disco de I.D. con gatos que no tengan microchip, o si el microchip del gato es defectuoso o está colocado en mala posición.

Para asegurar que los ajustes elegidos no puedan manipularse fácilmente, hemos creado botones de control cuyo accionamiento requiere una pulsación firme.

Si desea interrumpir una tarea en particular (excepto programación) en cualquier momento, el sistema se desconectará en 60 segundos.

Los ajustes no se guardarán a menos que pulse el botón 'PROG'.

2. Instalación de las pilas

- 2.1 Quite la cubierta de las pilas empujándola hacia arriba (véase la Fig. 2). La cubierta se soltará.
- 2.2 Introduzca 4 pilas alcalinas AA (R6) como se muestra en la (Fig. 3), deslizando las 2 pilas del fondo primero.
- 2.3 La gatera se autocomprobará durante 60 segundos como máximo; después de este período, sólo serán visibles las flechas 'ENTRAR Y SALIR' en la pantalla LCD. La gatera estará lista para programar.

Pueden utilizarse todos los tipos habituales de pilas, incluyendo pilas recargables, pero el indicador de pila baja (③, Fig. 1) solo funcionará correctamente con las pilas alcalinas. Las pilas alcalinas de buena calidad durarán 12 meses aproximadamente (dependiendo del número de gatos y del uso). **NO DEBERÁ** utilizar pilas de litio.

3. Programación

El siguiente paso es programar el microchip (o disco de I.D.) de cada gato.

NOTA: La secuencia de programación es sensible al tiempo y la pantalla LCD volverá al estado normal si no se completa cada paso en aproximadamente 15 minutos.

Para que la gatera reconozca el microchip de su gato(s), deberá proceder de la siguiente manera:

- 3.1 Pulse y sujete el botón 'PROG' durante 5 segundos (①, Fig. 1) hasta que se visualice el indicador de búsqueda (②, Fig. 1).
- 3.2 El 'GATO 1' y el número 1 destellarán; observará líneas en movimiento alrededor de los primeros 'DOS CEROS'.
- 3.3 Para programar el microchip de su gato, anime al gato para que atravesase lentamente el túnel mientras mantiene abierta la gatera, como se muestra en la Fig. 4. Alternativamente, para programar el disco de I.D. de su gato, coloque la parte delantera del disco de I.D. en la abertura del túnel (Fig. 5).
- 3.4 Una vez realizada la programación, los 'DOS CEROS' desaparecerán y 'Pr1' destellará.
- 3.5 Pulse el botón 'PROG' para guardar el ajuste.

Para añadir más gatos, hasta un máximo de 9, repita los pasos del 3.1 al 3.5.

4. Instrucciones de Instalación (véase los Figs. 8a a 16, páginas 4 y 5)

IMPORTANTE:

- **No corte el túnel de la gatera.**
- **Para comprobar que el microchip de su gato esté colocado y funcione correctamente, le recomendamos que programe la gatera para todos sus gatos antes de instalarla (véase la Sección 3). A continuación, compruebe que el microchip del gato activa el cerrojo cuando la cabeza del gato se empuja suavemente contra la gatera, como se muestra en la Fig. 6.**

4.1 Puertas de madera de 0-50mm de grosor

- 4.1.1 Coloque el marco exterior en la posición deseada de la puerta. Recomendamos que la parte inferior de la apertura se sitúe a 150mm aproximadamente del nivel del suelo (Fig.8a). Si tiene que instalar a mayor altura, considere la colocación de un escalón para facilitar la entrada de su gato.

4.1.2 Dibuje alrededor de la abertura (Fig. 8a), y con una sierra de vaivén eléctrica corte 4mm por fuera de la línea dibujada (Fig. 8b).

Tenga cuidado de cortar el orificio en escuadra con la puerta, particularmente en puertas de cierto grosor. Asegúrese de que el marco exterior penetre fácilmente en el orificio.

4.1.3 Determine el grosor del panel de la puerta (t) (Fig. 10).

4.1.4 Sujetando los marcos interior y exterior en posición, marque los 2 orificios para los tornillos (Fig. 11).

4.1.5 Extraiga los marcos y taladre agujeros de 6mm de diámetro en el panel para los tornillos.

4.1.6 Coloque el marco interior en la parte interior de la puerta y atornille el marco exterior a éste utilizando tornillos apropiados para el grosor del panel, (t), como se muestra en la Fig. 12. Si fuera necesario, corte los tornillos provistos a la longitud requerida. Finalmente, coloque tapones en los dos tornillos.

4.2 Puertas de UPVC/metal de 0-50mm de grosor

Las puertas construidas con paneles metálicos pueden reducir el alcance del lector de microchip. Puede probar si existen paneles metálicos al perforar un orificio de prueba pequeño en el medio de la ubicación prevista para la gatera.

Para las puertas de UPVC/metal es esencial cortar una abertura más grande que para las puertas de madera, y resintonizar la gatera como se indica a continuación:

4.2.1 Coloque el marco exterior en la posición deseada de la puerta. Recomendamos que la parte inferior de la apertura se sitúe a 150mm aproximadamente del nivel del suelo (Fig.9a). Si tiene que instalar a mayor altura, considere la colocación de un escalón para facilitar la entrada de su gato.

4.2.2 Dibuje alrededor del EXTERIOR del marco (Fig. 9a). Utilizando una sierra de vaivén eléctrica, corte 12mm por DENTRO de la línea dibujada (Fig. 9b).

4.2.3 Determine el grosor del panel de la puerta (t) (Fig. 10).

4.2.4 Coloque el marco interior en la parte interior de la puerta y atornille el marco exterior a éste utilizando tornillos apropiados para el grosor del panel, (t), como se muestra en la Fig. 12. Si fuera necesario, corte los tornillos provistos a la longitud requerida. **NO APRIETE LOS TORNILLOS EN EXCESO**, ya que esto podría impedir que la hoja se cerrase apropiadamente; utilice un destornillador de mano. Finalmente, coloque tapones en los dos tornillos.

4.2.5 Retire las pilas durante 2 minutos como mínimo después de la instalación. Esto permitirá que la gatera se resintonice por sí misma a su nueva ubicación.

4.3 Paneles de cristal

4.3.1 Le recomendamos se dirija a un cristalero para que corte un orificio de 232mm de diámetro en la posición requerida; seguidamente, instale la gatera como se indica a continuación. Alternativamente, quizás prefiera cambiar el panel de cristal por un panel de plástico transparente, y proceder con la instalación siguiendo las instrucciones de 4.1.1 a 4.1.6.

Nota: No es posible cortar orificios en cristal doble o endurecido. Vd. deberá obtener un panel nuevo de su cristalero con el orificio ya cortado.

4.3.2 Determine el grosor del panel de la puerta, (t), (Fig. 10).

4.3.3 El burlete de espuma negro no es adecuado para la instalación en cristal y deberá desecharse. Si lo desea, el marco exterior podrá sellarse con el panel de cristal utilizando un obturador de silicona.

4.3.4 Coloque el marco interior en la parte interior de la puerta y atornille el marco exterior a éste utilizando tornillos apropiados para el grosor del panel, (t), como se muestra en la Fig. 12. Si fuera necesario, corte los tornillos provistos a la longitud requerida. **NO APRIETE LOS TORNILLOS EN EXCESO**, ya que esto podría impedir que la hoja se cerrase apropiadamente; utilice un destornillador de mano. Finalmente, coloque tapones en los dos tornillos.

4.4 Instalación en la pared

Si va a instalar la gatera en una pared, deberá adquirir guarnición para pared Cat Mate Elite. Necesitará 1 guarnición por cada 50mm de grosor de pared sobre 100mm.

4.4.1 Abra un agujero rectangular en la pared 205mm de alto por 180mm de ancho.

4.4.2 Quite la cubierta de la pila situada en el marco interior, empujándola hacia arriba como se indica (Fig. 2).

4.4.3 Quite la cubierta del marco interior destornillando 2 tornillos en la parte posterior del marco interior (Fig. 13). *(Nota: Estos tornillos pueden desecharse, ya que será imposible reutilizarlos)*. Seguidamente, destornille los 2 tornillos más externos situados debajo de la cubierta de las pilas, y retire el marco interior girándolo hacia abajo (Fig. 14).

4.4.4 Desmonte con cuidado las 2 abrazaderas de rosca con alicates (Fig. 15).

4.4.5 Instale el marco interior provisto del número requerido de guarniciones en la pared interior, fijándolo en posición con 2 tornillos adecuados, como se muestra en la Fig. 16. *(Nota: Deberá aplicar una arandela (no provista) debajo de la cabeza de los tornillos)*. Si fuera necesario, las guarniciones podrán encolarse en posición, aunque generalmente, una inserción manual firme es suficiente.

4.4.6 Reinstale la cubierta del marco interior colocando 2 tornillos debajo de la cubierta de la pila con cuidado de no atrapar hilos eléctricos. (Reinstale el mando de 4 direcciones para la Ref. Producto 307, utilizando un destornillador de mano.) Recolecte la cubierta de la pila.

4.4.7 Instale el marco exterior empleando los 2 tornillos de 25mm suministrados. Finalmente, coloque tapones sobre los dos tornillos.

5. Entrenamiento de su gato para utilizar la gatera (o si el gato ha perdido su disco de I.D.)

Puede que su gato necesite un poco de tiempo para acostumbrarse a su nueva gatera. Para ayudar a su gato a acostumbrarse a entrar y salir por la gatera, ésta podrá ajustarse al 'MODO ENTRENAMIENTO' pulsando y sujetando el botón 'PROG' y pulsando brevemente el botón '4 WAY' en un plazo de 3 segundos.

Después de 5 segundos, el cerrojo se abrirá y el botón 'PROG' deberá soltarse. El símbolo 'ENTRAR y SALIR' continuará destellando.

Por favor, observe que en el 'MODO ENTRENAMIENTO' su gatera permitirá la entrada de otros animales.

Para salir del 'MODO ENTRENAMIENTO', pulse y sujete el botón 'PROG', y pulse brevemente el botón '4 WAY' en un plazo de 3 segundos. Después de 5 segundos, la gatera volverá a cerrarse con cerrojo y el botón 'PROG' deberá soltarse.

Para los gatos muy indecisos, mientras esté en el 'MODO ENTRENAMIENTO', utilice comida para animarlos a entrar y salir por la gatera.

NOTA: NO recomendamos dejar solos a los gatos, particularmente a los cachorros, cuando utilicen la gatera, hasta que Vd. se sienta satisfecho de que están completamente familiarizados con su operación.

6. Visualización de la ubicación del gato

La pantalla LCD muestra directamente la ubicación de hasta tres gatos (1-3).



La última vez, el gato atravesó la gatera para entrar en casa.



La última vez, el gato atravesó la gatera para salir de casa.

Observe que esta visualización es simplemente una guía sobre la ubicación del gato(s). La gatera determina la ubicación del gato registrando su último movimiento a través de la gatera. Los resultados pueden ser engañosos si el gato tiene una ruta alternativa de entrada/salida de la casa; si el gato ha seguido a otro gato a través de la gatera; si el gato sólo acerca la nariz a la gatera, etc.

7. Para ver cuánto tiempo desde que el gato(s) utilizó la gatera por última vez

- 7.1 Para ver cuántas horas y minutos desde que los gatos 1, 2 o 3 utilizaron la gatera por última vez, pulse el botón '+'.
7.2 La pantalla mostrará el símbolo correspondiente al 'GATO 1' y cuántas horas y minutos hace que el 'GATO 1' utilizó la hoja hasta un máximo de 99 horas.
- 7.3 Pulse '+' otra vez para recibir la misma información sobre los Gatos 2 y 3.
- 7.4 Pulse '+' por cuarta vez (o espere 20 segundos) para volver a la pantalla normal.

8. Opciones de acceso

Las opciones de acceso disponibles se muestran a continuación.



Entrar y Salir

Su gato(s) podrá entrar y salir por la hoja.



Entrada Solamente

Su gato(s) podrá entrar a través de la hoja, pero no podrá salir a través de la hoja



Salida Solamente

El gato(s) puede salir por la gatera pero no puede entrar por la gatera



Cerrada

El gato(s) no puede utilizar la gatera

Seleccione una opción de acceso de la siguiente manera:

- 8.1 Pulse y sujete el botón '4 WAY' durante 5 segundos hasta que destelle la pantalla.
- 8.2 Pulse repetidamente el botón '4 WAY' para desplazarse a través de las opciones de acceso disponibles (Fig. 7), hasta que llegue a la deseada.
- 8.3 Pulse el botón 'PROG' para guardar el ajuste.

8.4 Ajuste del control Tiempo/Reloj para TODOS los gatos

Si desea ajustar su gatera para asegurar que TODOS los gatos tengan una opción particular de acceso durante un período de tiempo seleccionado, por ejemplo, para mantener a su gato dentro por la noche entre las 19.00 y las 06.00 horas, primero deberá decidir:

- a) Qué ajuste de cerrojo se deberá aplicar DURANTE el período cronometrado (en el ejemplo anterior se aplicará 'INTERIOR SÓLO'). Fuera del período cronometrado, se aplicará el ajuste de cerrojo realizado en los puntos 8.1 a 8.3.
- b) Cuándo deberá comenzar ('START') el período cronometrado (en el ejemplo anterior, a las 19.00 horas).
- c) Cuándo deberá concluir ('FINISH') el período cronometrado (en el ejemplo anterior, a las 06.00 horas).
- d) También deberá saber la hora actual.

Proceda de la siguiente manera:

NOTA: Si no pulsa ningún botón durante más de 60 segundos, la pantalla volverá a su estado normal y Vd. deberá comenzar de nuevo.

- 8.4.1 Pulse el botón 'TIMER' durante 5 segundos hasta que destelle el indicador de la función de Tiempo.
- 8.4.2 Pulse el botón '4 WAY' repetidamente para seleccionar las opciones de acceso requeridas entre: 'ENTRAR Y SALIR', 'INTERIOR SÓLO', 'EXTERIOR SÓLO', 'CERRADO' u 'OFF'.
- 8.4.3 Pulse el botón 'PROG' para guardar el ajuste.
- 8.4.4 La pantalla mostrará el tiempo con el símbolo de los minutos destellando. Pulse el botón '+' repetidamente hasta que aparezca el ajuste actual de minutos (es decir, 10 si la hora actual es 12.10).
- 8.4.5 Pulse el botón 'PROG' para guardar el ajuste.
- 8.4.6 Ahora, la pantalla mostrará el tiempo con el símbolo de la hora destellando. Si desea cambiar entre un reloj de 24 horas y el ajuste AM/PM (mañana/tarde), pulse el botón 'TIMER'.
- 8.4.7 Pulse el botón '+' repetidamente hasta que aparezca el ajuste correcto de hora (p. ej., 12 si la hora actual es 12.10).
- 8.4.8 Pulse el botón 'PROG' para guardar el ajuste.
- 8.4.9 La pantalla mostrará la palabra 'START' y los minutos destellarán. Pulse el botón '+' hasta visualizar el ajuste deseado de minutos (en el ejemplo anterior '00'). Pulse el botón 'PROG' para guardar el ajuste.
- 8.4.10 Seguidamente, ajuste las horas de la misma forma (en el ejemplo anterior 19.00).
- 8.4.11 La pantalla mostrará la hora de finalización ('FINISH'). Ajuste de la misma forma que la hora inicial ('START'). Acuérdesse de pulsar el botón 'PROG' para guardar el ajuste.

Cuando esté ajustado el Tiempo, el indicador (Ⓢ, Fig. 1) de función del Tiempo se mostrará en la pantalla.

Al estar activo el cerrojo cronometrado, el símbolo de la opción de acceso elegida en 8.2 destellará lentamente.

Para comprobar los ajustes de hora, pulse brevemente el botón 'TIMER' y suelte. La pantalla mostrará la opción de acceso cronometrada que se haya seleccionado y la hora de inicio ('START'). Pulse el botón 'TIMER' otra vez para ver la hora de finalización ('FINISH'). La pantalla volverá al tiempo actual después de 5 segundos.

Para cancelar el control por cronómetro y volver a la opción normal de acceso:

- 8.4.12 Pulse el botón 'TIMER' durante 5 segundos.
- 8.4.13 Pulse el botón '4 WAY' y retroceda a través de las opciones hasta llegar a 'OFF'.
- 8.4.14 Pulse el botón 'PROG' 3 veces para mantener las horas de reloj actuales y volver a la pantalla normal.

9. Cambio de las pilas

Cuando se encienda el indicador de pila baja (Ⓣ, Fig. 1), deberán cambiarse las pilas alcalinas. (Véase la Sección 2).

Por favor, observe que al instalar pilas nuevas:

- El indicador de pila baja podría permanecer encendido hasta 15 minutos.
- La gatera recordará todos los microchips y discos de I.D., ajustes de cerrojo y las horas de cierre, pero LA HORA ACTUAL DEBERÁ REAJUSTARSE (véase la Sección 8.4).

10. Reprogramación de un gato con microchip o disco de I.D

- 10.1 Pulse el botón 'PROG' durante 5 segundos; el siguiente número de Gato sin usar destellará intermitentemente y circularán unas líneas alrededor de los primeros 'DOS CEROS'.
- 10.2 Pulse el botón '+' para seleccionar el número de Gato apropiado que desee reprogramar, o seleccione el siguiente número de Gato disponible. (Una letra 'P' junto al número de Gato indica que ya ha sido programado, aunque usted podrá reprogramar de la siguiente manera).
- 10.3 Para programar el microchip de su gato, anime al gato para que atraviese lentamente el túnel mientras mantiene abierta la gatera, como se muestra en la Fig. 4. Alternativamente, para programar un disco de I.D. de sustitución, coloque la parte delantera del disco de I.D. en la abertura del túnel (Fig. 5).
- 10.4 Los 'DOS CEROS' giratorios desaparecerán y destellará 'Pr'.
- 10.5 Pulse el botón 'PROG' para guardar el ajuste.

Para añadir más gatos, hasta un máximo de 9, repita los pasos del 10.1 al 10.5.

11. Reajuste de fábrica

Para devolver la gatera al ajuste de fábrica, pulse y sujete el botón '+' durante 30 segundos, hasta que se muestren todos los símbolos en la pantalla LCD. Después de un período de autocomprobación, el símbolo de 'ENTRAR Y SALIR' será lo único visible en la pantalla LCD. Este procedimiento borrará todos los microchips / discos de I.D. y demás ajustes. Entonces necesitará reprogramar los microchips / discos de I.D. (véase la Sección 3).

12. Modo de alta seguridad

Esta gatera se suministra con el modo de alta seguridad desactivado para que su gato se acostumbre fácilmente a utilizar la nueva gatera. En este modo, la gatera ofrece el tiempo de respuesta más rápido posible al microchip del gato.

Una vez que el gato se haya acostumbrado a utilizar la nueva gatera, se recomienda activar el modo de alta seguridad. Éste ofrece mayor seguridad contra la entrada de mapaches y otros gatos persistentes del vecindario, y también alarga la duración de las pilas.

Podrá activar la gatera al modo de alta seguridad ('Eon') de la siguiente manera:

- 12.1 Pulse y sujete el botón 'PROG' y, en un lapso de 3 segundos, pulse brevemente el botón '+'. Cuando la pantalla muestre 'EOFF' o 'Eon', suelte el botón 'PROG'.
- 12.2 Podrá desplazarse entre 'EOFF' y 'Eon' pulsando el botón '4 WAY'. Pulse 'PROG' para guardar el ajuste.

13. Resolución de problemas

13.1 El gato no utiliza la gatera

Los gatos indecisos pueden tardar cierto tiempo en aprender a utilizar la gatera; incluso si ya han empleado otras gateras anteriormente.

- Primero, utilice el 'MODO ENTRENAMIENTO' (véase la Sección 5).
- Compruebe que el modo de alta seguridad esté desactivado para que a su gato le resulte más fácil utilizar la gatera (véase la Sección 12).

13.2 El microchip del gato no se programa

- Es posible que el microchip de su gato sea defectuoso o esté mal colocado. Póngase en contacto con Servicio al Cliente de Pet Mate o instale un disco de I.D. Cat Mate.

13.3 La gatera no se abre en respuesta al disco de I.D. o microchip programado

- Compruebe que el microchip o disco de I.D. del gato opera el cerrojo cuando la cabeza del gato se empuja suavemente contra la gatera, como se muestra en la Fig. 6.
- Si se instala en una puerta de UPVC/metal, asegúrese de que el tamaño del corte sea correcto (véase la Sección 4.2).
- Si se instala en una puerta de UPVC/metal, compruebe que la unidad se haya resintonizado retirando las pilas durante 2 minutos como mínimo.
- Compruebe que el cerrojo '4 WAY' esté programado para permitir el acceso en la dirección elegida (véase la Sección 8).
- Asegúrese de que no esté activado un cierre cronometrado (evidente si destella el ajuste de cerrojo '4 WAY'). Si fuera necesario, cancele el cierre cronometrado (véanse las Secciones de 8.4.12 a 8.4.14).
- Podrían haberse activado el modo de alta seguridad (denotados por 'Eon' en la pantalla). No mueva la hoja hasta que 'Eon' desaparezca.
- Compruebe que las pilas estén orientadas correctamente (Fig. 3) y que no aparezca el indicador de pila baja (⊖), Fig. 1).
- Si se utiliza un disco de I.D., compruebe que esté correctamente ajustado al collar del gato (Fig. 7).
- Si fuera posible, intente la operación con otro disco de I.D. / microchip programado para descubrir si existe un fallo con un disco de I.D. / microchip particular.
- Compruebe que la gatera está montada a la altura correcta (véase la Sección 4).
- Si falla todo lo demás, saque las pilas y espere 5 minutos como mínimo. Vuelva a colocar las pilas y realice un 'REAJUSTE DE FÁBRICA' (véase la Sección 11).

13.4 La hoja no se ha cerrado por completo

- Compruebe que el marco de la gatera no se haya apretado en exceso con los 2 tornillos. Intente aflojar los tornillos ligeramente.
- En algunas ocasiones, esto se deberá a un evento inusual, en cuyo caso el sistema electrónico normalmente se autocorregirá en un plazo de 30 minutos. Si el problema continúa, extraiga las pilas durante 30 minutos antes de volver a colocarlas, esto restituirá la acción de cierre correcta.

13.5 Dificultad para configurar las funciones/tiempos requeridos

- Los botones deben pulsarse firmemente.
- No se olvide de pulsar el botón 'PROG' después de realizar cualquier cambio; esto guardará el cambio.

13.6 La pantalla se bloquea

- Extraiga las pilas durante 5 minutos, y vuelva a colocarlas.
- Si la pantalla permanece bloqueada, realice un 'REAJUSTE DE FÁBRICA' (véase la Sección 11).

13.7 La hoja no se cierra

- Compruebe que la gatera no esté en 'MODO ENTRENAMIENTO' (flechas de intermitencia lenta).
- Espere 30 minutos para que se autocorrija.

BELANGRIJK! VEILIGHEIDSLINSTRUCTIES

- Lees alle instructies voor of bij het gebruik van dit product.
- Registreer uw aankoop online bij www.pet-mate.com (zie garantie).
- Kinderen niet met dit product laten spelen.
- Inspecteer het product regelmatig op correcte werking en eventuele beschadiging. Bij twijfel niet gebruiken.
- Dit product is uitsluitend ontworpen voor gebruik met huisdieren, zoals beschreven in deze instructies.
- Het sluitsysteem van dit huisdierendeur is niet bedoeld als beveiliging.
- Dit huisdierendeur is niet brandwerend en mag niet worden gebruikt als er risico bestaat van branduitbreiding.
- Bij de installatie van dit huisdierendeur is men verantwoordelijk voor de naleving van alle relevante bouwvoorschriften.
- Neem passende maatregelen bij de installatie van dit huisdierendeur. Volg veiligheidsinstructies voor alle gereedschappen en draag geschikte persoonlijke beschermingsmiddelen.
- Verwijder al het verpakkingsmateriaal op de juiste wijze. *NB: Houd plastic zakken uit de buurt van kinderen en dieren om verstikkingsgevaar te vermijden.*

BEWAAR DEZE INSTRUCTIES

CE Hierbij verklaart Pet Mate Ltd. dat dit product voldoet aan de essentiële eisen en overige relevante voorschriften van EU Richtlijnen. Alle verklaringen van overeenstemming (DoC) zijn te lezen op www.pet-mate.com/eudoc.



BELANGRIJK! Beschadigde/defecte/afgedankte producten afvoeren in overeenstemming met de lokaal geldende voorschriften van uw land. **EU:** Voor aanvullende informatie kunt u de paragraaf met Richtlijnen voor Afgedankte Elektrische en Elektronische Apparatuur in de Algemene Voorwaarden van de EU (AEEA) op www.pet-mate.com raadplegen.

1. Introductie

Proficiat met de aankoop van de Cat Mate Elite Microchip Kattendeur met Tijd klok Functionering.

LEES DEZE INSTRUCTIES VOORZICHTIG DOOR EN PROGRAMMEER / TEST DE KATTENDEUR VOORDAT U HEM INSTALLEERT.

Met de Cat Mate Elite Microchip Kattendeur met Tijd klok Functionering kunnen maximaal 9 katten uw huis binnengaan. Met gebruik van de timer of het draaislot met 4 standen kunt u regelen wanneer uw huisdieren naar buiten gaan. Bovendien kunt u het gaan en komen van 3 individuele katten volgen doordat u kunt zien wanneer uw kat voor de laatste keer door de kattendeur naar binnen of naar buiten is gegaan, en hoelang dat geleden is.

Deze kattendeur is geschikt voor alle gangbare microchips. Overigens kan hij ook reageren op een I.D. disc (afzonderlijk verkrijgbaar). Misschien wilt u een I.D. disc voor katten zonder microchip gebruiken of als de microchip van uw katten defect is of verkeerd is ingezet.

Om er zeker van te zijn dat er niet gemakkelijk met de door u gekozen instelling geknoeid kan worden, zijn de bedieningsknoppen zo gemaakt dat ze, om zoals gewenst te functioneren, stevig ingedrukt moeten worden.

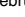
Het systeem zal na 60 seconden op time out gaan, indien u op een bepaald moment wenst te stoppen met een willekeurige taak (behalve programmeren).

Nieuwe gegevens worden pas opgeslagen als u de 'PROG' knop indrukt.

2 Het plaatsen van de batterijen

- 2.1 Verwijder de batterijafdekplaat door hem omhoog te drukken (zie afb. 2) waardoor hij los komt.
- 2.2 Plaats 4 x AA (R6) Alkaline batterijen in de houder zoals aangegeven (afb. 3), door de twee buitenste batterijen er het eerst in te schuiven.

2.3 De kattendeur controleert de eerste 60 seconden en daarna zijn alleen de 'IN & OUT' pijltjes op het LCD scherm zichtbaar. De kattendeur kan nu geprogrammeerd worden.

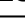

Alle bekende batterijen kunnen gebruikt worden, inclusief oplaadbare batterijen, maar het lage batterijindicator ( , afb. 1) werkt goed uitsluitend met alkaline batterijen. Alkaline batterijen van goede kwaliteit zullen ongeveer 12 maanden meegaan (afhankelijk van het aantal katten en gebruik). U **MAG GEEN** lithium batterijen gebruiken.

3. Programmering

De volgende stap is om de microchip of I.D. disc van elke kat te programmeren.

NB: De sequentie van het programma is tijdgevoelig en de LCD laat het standaard display zien wanneer niet iedere stap binnen een tijd van ongeveer 15 minuten is voltooid.

Om ervoor te zorgen dat uw kattendeur de microchip van uw kat(ten) herkent, moet u het volgende doen:

- 3.1 Houd de knop met 'PROG' 5 seconden ( , afb. 1) ingedrukt totdat de Zoekindicator ( , afb. 1) brandt.
- 3.2 'CAT 1' en het nummer 1 gaan knipperen en er verschijnen bewegende lijnen om de eerste 'TWO ZEROS' (twee nullen).
- 3.3 Om de microchip van uw kat te programmeren, moedigt u uw kat aan om langzaam door de tunnel te lopen en houdt het deurtje open (zie afb. 4). U kunt ook uw kat I.D. disc programmeren door de voorkant van de I.D. disc in de tunnelopening te houden (afb. 5).
- 3.4 Na programmering, zullen de 'TWO ZEROS' verdwijnen en zal 'Pr1' knipperen.
- 3.5 Druk de 'PROG' knop in om de instelling op te slaan.

Voor meer katten, totaal maximaal 9, herhaalt u de stappen 3.1 tot 3.5.

4. Montage Instructies (zie afb. 8a tot 16, pagina's 4 en 5)

BELANGRIJK!:

- U mag niet in de tunnel of de kattendeur zagen.
- Wij raden u sterk aan om de kattendeur bij al uw katten voor de installatie al te programmeren om te controleren of de microchip bij uw katten goed geplaatst is en goed werkt (zie sectie 3.) Controleer vervolgens dat de microchip van de kat het slot bedient als de kop van de kat zachtjes tegen de kattendeur wordt geduwd, zoals in afb. 6 getoond.

4.1 Houten deuren 0-50mm dik

- 4.1.1 Plaats het buitenframe in de gewenste positie op de deur. Wij adviseren u de onderzijde van de opening op ongeveer 150mm boven de vloer te monteren (afb. 8a). Bij een hogere kattendeur is een trapje voor de kat misschien handig om gemakkelijker naar binnen te kunnen.

4.1.2 Trek een lijn om de opening (afb. 8a), zaag daarna op 4mm buiten de lijn met een elektrische figuurzaag.(afb. 8b).

Werk nauwkeurig en zaag een opening uit die loodrecht op de deurrand staat, dit is vooral belangrijk voor dikkere deuren, Zorg dat het binnenframe goed in de opening past.

4.1.3 Bepaal de dikte van het deurpaneel (t) (afb. 10).

4.1.4 Houdt zowel buiten- als binnenframe op de gewenste plaats en markeer de 2 schroefgaten (afb. 11).

4.1.5 Verwijder de frames en boor schroefgaten in het paneel tot 6mm diameter.

4.1.6 Plaats het binnenframe aan de binnenzijde van de deur en bevestig het buitenframe erop met schroeven die geschikt zijn voor de betreffende paneeldikte (t) zoals afgebeeld in afb. 12. Indien nodig kunt u de schroeven op de gewenste lengte afzagen. Breng vervolgens de 2 schroefdopjes aan.

4.2 UPVC- / metalen deuren 0-50mm dik

Deuren voorzien van metalen panelen kunnen het bereik van de lezer van de microchip verminderen. Bij metalen panelen kunt u een proefje doen door een klein gaatje te boren in het midden van de plek waar de kattendeur moet komen.

Voor UPVC- / metalen deuren is het essentieel om een grotere opening te zagen dan voor houten deuren, en de kattendeur er als hieronder beschreven op af te stemmen:

4.2.1 Plaats het buitenframe in de gewenste positie op de deur. Wij adviseren u de onderzijde van de opening op ongeveer 150mm boven de vloer te monteren (afb. 9a). Bij een hogere kattendeur is een trapje voor de kat misschien handig om gemakkelijker naar binnen te kunnen.

4.2.2 Trek een lijn om de BUITENKANT van het frame.(afb. 9a). Zaag met een elektrische figuurzaag op 12mm BINNEN de lijn (afb. 9b).

4.2.3 Bepaal de dikte van het deurpaneel (t) (afb. 10).

4.2.4 Plaats het binnenframe aan de binnenzijde van de deur en bevestig het buitenframe erop met schroeven die geschikt zijn voor de betreffende paneeldikte (t) zoals afgebeeld in afb. 12. Indien nodig kunt u de schroeven op de gewenste lengte afzagen. DRAAI DE SCHROEVEN NIET TE VAST AAN, aangezien de kattendeur hierdoor wellicht niet goed sluit. Gebruik een handschroevendraaier. Breng vervolgens de 2 schroefdopjes aan.

4.2.5 Verwijder de batterij minimaal 2 minuten na installatie. De kattendeur kan zich dan afstemmen op de nieuwe locatie.

4.3 Glaspanelen

4.3.1 Wij raden u aan een glasbedrijf te vragen een opening met een diameter van 232mm op de gewenste plaats uit te zagen en vervolgens de kattendeur te monteren zoals hieronder aangegeven. U kunt ook besluiten het glaspaneel te vervangen door plastic en de kattendeur te monteren volgens instructies 4.1.1 tot 4.1.6.

NB: Het is niet mogelijk is een opening uit te zagen in dubbel of versterkt glas, in dag geval hebt u een nieuw paneel nodig waarin het glasbedrijf al een opening heeft uitgesneden.

4.3.2 Bepaal de dikte van het deurpaneel (t). (afb. 10).

4.3.3 De zwarte foamstrip in het binnenframe is ongeschikt voor montage in glas en dient verwijderd te worden. Indien gewent kan het binnenframe afgedicht worden met een silicone product.

4.3.4 Plaats het binnenframe aan de binnenzijde van de deur en bevestig het buitenframe erop met schroeven die geschikt zijn voor de betreffende paneeldikte (t) zoals afgebeeld in afb. 12. Indien nodig kunt u de schroeven op de gewenste lengte afzagen. DRAAI DE SCHROEVEN NIET TE VAST AAN, aangezien de kattendeur hierdoor wellicht niet goed sluit. Gebruik een handschroevendraaier. Breng vervolgens de 2 schroefdopjes aan.

4.4 Montage in een muur

Als u een kattendeur in een wand plaatst, dient u Cat Mate Elite Wall Liners aan te schaffen. U heeft één wall liner nodig voor elke 50mm wanddikte over 100mm.

4.4.1 Maak in de muur een rechthoekige opening van 205mm hoog bij 180mm breed.

4.4.2 Verwijder de binnenframe batterijafdekplaat door hem omhoog te drukken zoals aangegeven (afb. 2).

4.4.3 Verwijder de binnenframe afdekplaat door de 2 schroeven in de achterzijde van het binnenframe los te draaien (afb. 13). *(NB: u kunt deze schroeven weggooien omdat ze hierna nergens meer passen).* Verwijder vervolgens de buitenste 2 schroeven onder het batterijdeksel en verwijder het binnenframe door het naar beneden te draaien (afb. 14).

4.4.4 Verwijder met behulp van een tangetje voorzichtig de 2 schroeven (afb. 15).

4.4.5 Bevestig het gemonteerde binnenframe met het vereiste aantal tegenmuurpanelen met gebruik van de 2 passende schroeven aan de binnenmuur zoals aangegeven in afb. 16. *(NB: u hebt een leertje (niet bijgeleverd) onder de kop van de schroef nodig).* Indien gewenst kunt u de tegenmuurpanelen vastlijmen, alhoewel stevig aangedruken gewoonlijk voldoende is om ze op goed bevestigd de houden.

4.4.6 Monteer de binnenframe afdekplaat met 2 schroeven onder de batterijafdekplaat waarbij u er goed op let de elektrische bedrading niet te raken. Monteer de batterijafdekplaat

4.4.7 Monteer het buitenframe met de 2 schroeven van 25mm die bijgeleverd zijn en breng ten slotte de 2 schroefdopjes aan.

5. Uw kat leren de kattendeur te gebruiken (of als uw kat zijn I.D. disc heeft verloren)

Het kan enige tijd duren voor uw kat gewend raakt aan de nieuwe kattendeur. Om uw kat te laten wennen aan het gebruik van de kattendeur, kan de kattendeur ingesteld worden op 'TRAINING MODE' (oefenstand) door de knop met 'PROG' ingedrukt te houden en binnen 3 seconden even op de knop met '4 WAY' te drukken.

Na 5 sec. is de vergrendeling ontsloten en kan de 'PROG' knop losgelaten worden. Het 'IN & OUT' symbool blijft knipperen.

Bedenk wel dat de kattendeur in 'TRAINING MODE' ook andere dieren kan binnen laten.

Om de 'TRAINING MODE' te verlaten, drukt u de 'PROG' knop in. Houdt de knop ingedrukt, druk binnen 3 sec. kort op de '4 WAY' knop. Na 5 sec. is het kattenluik weer vergrendeld en kan de 'PROG' knop losgelaten worden.

Voor zeer schuwe katten kunt u in de 'TRAINING MODE' voedsel gebruiken om de kat aan te moedigen door de kattendeur naar binnen en buiten te gaan.

NB: het is niet verstandig om katten en met name jonge katten alleen te laten bij gebruik van een nieuwe kattendeur zolang u er niet van overtuigd bent dat ze ermee vertrouwd zijn.

6. Zien waar uw kat zich bevindt

Het LCD Scherm laat u in een oogopslag zien waar maximaal 3 katten zich bevinden (1-3).



De kat die het laatst door de kattendeur gegaan is, het huis in.



De kat die het laatst door de kattendeur gegaan is, het huis uit.

NB: het LCD scherm geeft slechts bij benadering aan waar de kat zich bevindt. De kattendeur bepaalt de locatie van uw kat doordat de laatste activiteit van de kattendeur wordt weergegeven. De resultaten kunnen misleidend zijn met name als een kat een alternatieve manier om het huis in of uit te gaan heeft, of als de ene kat de andere kat kort opgevolgd heeft bij het gebruiken van de kattendeur, of als de kat maar net zijn neus door de kattendeur heeft gestoken, enz.

7. Om te zien hoe lang het is sinds de kat(ten) de kattendeur het laatst heeft gebruikt

- 7.1 Om te zien hoeveel uren en minuten het is sinds katten, 1, 2 of 3 het laatst de kattendeur hebben gebruikt, druk de '+' knop.
- 7.2 Op de display ziet u het symbool voor 'CAT 1' en hoeveel uren en minuten het is (tot 99 uren) sinds 'CAT 1' de kattendeur heeft gebruikt.
- 7.3 Druk opnieuw op de '+' knop om dezelfde informatie te verkrijgen over kat 2 and 3.
- 7.4 Druk een vierde keer op de '+' knop (of doe 20 seconden lang niets) om het gewone scherm weer te laten verschijnen.

8. Toegangsmogelijkheden

De toegangsmogelijkheden zijn hieronder aangegeven.



In en Uit

Uw kat(ten) kan/kunnen door de kattendeur naar binnen en naar buiten



Alleen toegang

Uw kat(ten) kan/kunnen door de kattendeur naar binnen maar niet naar buitengaan



Alleen uitgang

Kat(ten) kunnen door de kattendeur wel naar buiten maar niet naar binnen



Gesloten

Kat(ten) kunnen door de kattendeur niet gebruiken

Selecteer als volgt een toegangsoptie:

- 8.1 Houd de '4 WAY' knop 5 seconden ingedrukt tot de display knippert.
- 8.2 Druk de '4 WAY' knop een aantal maal in om de beschikbare toegangsmogelijkheden te zien, tot u de door u gewenste mogelijkheid gevonden hebt.
- 8.3 Druk de 'PROG' knop in om de instelling op te slaan.

8.4 Instellen van de Timer Control / Tijds klok voor AL uw katten


Als u uw kattendeur zo wenst in te stellen dat AL uw katten een specifieke toegangsmogelijkheid hebben gedurende een bepaalde korte periode, tussen 19:00 and 06:00 bij voorbeeld om uw katten nachts binnen te houden, dient u eerst bepalen:

- a) Welke vergrendeling u TIJDENS die bepaalde korte periode wilt instellen (in het gekozen voorbeeld hierboven is dat 'IN ONLY'). Buiten de getimede periode is de vergrendelingsinstelling die in 8.1 tot 8.3 is aangebracht van toepassing.
- b) De 'START' tijd van de geselecteerde periode (in bovenstaand voorbeeld om 19.00 uur).
- c) De 'FINISH' tijd van de geselecteerde periode (in bovenstaand voorbeeld om 06.00 uur).
- d) U dient ook de actuele tijd nu te weten.

Ga als volgt te werk:

NB: als u een knop korter dan 60 seconden indrukt, gaat de display terug naar normaal en moet u opnieuw beginnen.

- 8.4.1 Houd de knop met 'TIMER' 5 seconden ingedrukt totdat het functielampje knippert.
- 8.4.2 Druk de '4 WAY' knop herhaaldelijk in om de gewenste mogelijkheid te kiezen uit: 'IN & OUT', 'IN ONLY', 'OUT ONLY', 'LOCKED' of 'OFF'.
- 8.4.3 Druk op de 'PROG' knop om de nieuwe instelling te bewaren.
- 8.4.4 Het scherm laat de tijd zien waarbij het minuten-symbool knippert. Druk op de '+' knop herhaaldelijk totdat de actuele minutenstand te zien is (bij voorbeeld 10 als de actuele tijd 12.10 is).
- 8.4.5 Druk op de 'PROG' knop om de instelling op te slaan.
- 8.4.6 Het scherm laat nu de tijd zien waarbij het uur-symbool knippert.
Als u wilt omschakelen tussen een 24-uurs tijd klok en een AM/PM instelling, druk dan op de knop met 'TIMER'.
- 8.4.7 Druk op de '+' knop totdat herhaaldelijk het actuele uur te zien is (bij voorbeeld 12 als de actuele tijd 12.10 is).
- 8.4.8 Druk op de 'PROG' knop om de instelling op te slaan.
- 8.4.9 Het scherm laat het woord 'START' zien waarbij de minuten knipperen. Druk de '+' button in totdat u de gewenste minuten-stand ziet (in bovenstaand voorbeeld '00'). Druk op de 'PROG' knop om de instelling op te slaan.
- 8.4.10 U stelt vervolgens het gewenste uur op dezelfde manier in (in bovenstaand voorbeeld 19:00).
- 8.4.11 Het display scherm laat nu de 'FINISH' tijd zien. Stel die in op dezelfde manier als de 'START' tijd. Druk de 'PROG' knop in om de instelling op te slaan.

Als de tijd klok is ingesteld, is het functielampje ( , afb. 1) van de tijd klok op de display zichtbaar.


Als de tijd vergrendeling geactiveerd is, zal de keuzemogelijkheid die in stap 8.2. geselecteerd is, langzaam knipperen.

Ter controle van de tijdstellingen drukt u even op de knop met 'TIMER' en laat weer los. Het scherm laat de geselecteerde mogelijkheid en de 'START' tijd zien. Druk vervolgens de 'TIMER' knop opnieuw in om de 'FINISH' tijd te zien. Het LCD scherm geeft na 5 seconden de huidige tijd aan.

Uitschakelen van de tijdsregeling en de gewone toegangsregeling herstellen:

- 8.4.12 Druk de 'TIMER' knop 5 seconden in.
- 8.4.13 Druk de '4 WAY' knop in ga terug door de keuzemogelijkheden totdat u 'OFF' ziet.
- 8.4.14 Druk 3 keer op de knop met 'PROG' om de huidige tijd aan te houden en terug te gaan naar de gebruikelijke display.

9. Vervangen van batterijen

Als lage batterijindicator ( , afb. 1) gaat branden, moeten de alkaline batterijen vervangen worden. (Zie sectie 2).

Let wel dat na de plaatsing van nieuwe batterijen:

- Lage batterijindicator tot 15 minuten kan blijven branden.
- De kattendeur herinnert zich alle microchips en I.D. Discs, slotinstellingen en vergrendelingsstijden, maar de HUIDIGE TIJD MOET OPNIEUW WORDEN INGESTELD (zie sectie 8.4).

10. Herprogrammering van een kat met microchip of I.D. Disc.

- 10.1 Houd de knop met 'PROG' 5 seconden ingedrukt, waarna het volgende nog niet gebruikte kattennummer gaat knipperen met bewegende lijntjes om de eerste 'TWO ZEROS'.
- 10.2 Druk op de '+' knop om het juiste katnummer dat u wilt herprogrammeren te selecteren, of selecteer het volgende beschikbare katnummer. (Een 'P' naast het kattennummer geeft aan dat het al geprogrammeerd is, hoewel u als volgt kunt herprogrammeren).
- 10.3 Om de microchip van uw kat te programmeren, stimuleert u uw kat om langzaam door de tunnel te gaan door de kattendeur open te houden, zoals in afb. 4 wordt getoond. Om een vervangende I.D. Disc te programmeren, plaatst u de voorkant van de I.D. Disc in de tunnelopening (afb. 5).
- 10.4 De draaiende 'TWO ZEROS' verdwijnen en 'P' knippert.
- 10.5 Druk de 'SET' knop in om de instelling op te slaan.

Voor meer katten, totaal maximaal 9, herhaalt u de stappen 10.1 tot 10.5.

11. Fabrieksinstellingen terug zetten

Om de kattendeur de instelling te geven die hij bij aankoop had, houdt u de '+' knop ongeveer 30 seconden ingedrukt totdat alle symbolen op het LCD scherm verschijnen. Het apparaat voert even controle uit en daarna is alleen het 'IN & OUT' symbool op het LCD scherm zichtbaar. Met deze procedure worden alle instellingen van microchip(s) / I.D. disc(s) en overige gewist. Daarna moet u de microchip(s) / I.D. disc(s) herprogrammeren (Zie sectie 3).

12. Beveiligingsmodus

Deze kattendeur is voorzien van een hoog beveiligingsmodus dat uitgeschakeld is zodat uw kat beter aan het nieuwe deurtje kan wennen. In deze modus geeft het luikje de snelst mogelijke responstijd op de microchip van de kat.

Zodra de kat aan het gebruik van de kattendeur is gewend, is het raadzaam om de beveiligingsmodus in te schakelen. Dit zorgt voor een betere beveiliging tegen binnendringende wasberen en lastige buurkatten en een langere levensduur van de batterij.

U kunt het luikje als volgt omschakelen naar de beveiligingsmodus ('Eon'):

- 12.1 Druk op 'PROG' knop en houdt ingedrukt en druk dan binnen 3 seconden kort op de '+' knop. Laat de 'PROG' knop los zodra de display 'EOFF' of 'Eon' laat zien.
- 12.2 U kunt tussen 'EOFF' en 'Eon' overschakelen door de '4 WAY' knop in te drukken. Druk op 'PROG' om de instelling op te slaan.

13. Troubleshooting

- 13.1 De kat wil de kattendeur niet gebruiken.

Verlegen katten hebben misschien meer tijd nodig om de kattendeur te leren gebruiken - zelfs al hebben ze eerder een andere kattendeur gebruikt.

- Probeer de methode 'Uw kat de kattendeur leren gebruiken' (zie sectie 5) nog eens.
 - Controleer of de beveiligingsmodus is uitgeschakeld, zodat uw kat het makkelijker zal vinden om het kattendeur te gebruiken (zie sectie 12).
- 13.2 De microchip van de kat kan niet worden geprogrammeerd
 - De microchip van uw kat is misschien defect of slecht gepositioneerd. Neem contact op met de klantenservice van Pet Mate of bevestig een I.D. Disc van Cat Mate aan de halsband van de kat.

- 13.3 De kattendeur reageert niet op de geprogrammeerde I.D. disc of microchip en gaat niet open.

- Controleer dat de microchip of I.D. Disc van de kat het slot bedient als de kop van de kat zachtjes tegen de kattendeur wordt geduwd, zoals in afb. 6 wordt getoond.
- Als de kattendeur in een UPVC- / metalen deur is aangebracht, zorg er dan voor dat de juiste opening in de deur is gezaagd (Zie sectie 4.2).
- Als de kattendeur in een UPVC- / metalen deur is aangebracht, controleer dan dat de kattendeur opnieuw is afgestemd door de batterijen minimaal 2 minuten te verwijderen.
- Controleer of de 4-voudige vergrendeling zo is afgesteld dat toegang in de gewenste richting mogelijk is (zie sectie 8).
- Zorg dat een geprogrammeerd slot niet wordt geactiveerd (zichtbaar aan knipperend '4 WAY' instelling van slot). Indien nodig kan het tijdslot uitgeschakeld worden (zie sectie 8.4.12 tot 8.4.14).
- Het beveiligingsmodus is misschien geactiveerd (aangegeven met 'Eon' op de display). Houdt de luikje stil totdat 'Eon' verdwenen is.
- Controleer of de batterijen goed in de houder zitten (afb. 3), en het lage batterijindicator (Ⓢ, afb. 1) niet wordt weergegeven.
- Als u een I.D. Disc gebruikt, controleer dan dat deze goed aan de halsband van de kat is bevestigd (afb. 7).
- Kijk zo mogelijk of hij werkt met een andere geprogrammeerde I.D. disc / microchip om te zien of er een probleem is met een bepaalde I.D. disc / microchip.
- Controleer of de kattendeur op de goede hoogte is gemonteerd (zie sectie 4).
- Indien het probleem nog steeds niet verholpen is, verwijdert u de batterijen en wacht vervolgens minstens 5 minuten. Plaats de batterijen weer in de houder en herhaal de handeling 'Fabrieksinstellingen terug zetten' (zie sectie 11).

- 13.4 De kattendeur sluit niet goed

- Controleer dat het frame van de kattendeur niet te stevig met de 2 schroeven is aangedraaid. Draai de schroeven een beetje losser.
- Dit kan heel af ten toe gebeuren door een bijzonder voorval, en normaliter herstelt de elektronica zich binnen 30 minuten. Als het probleem aanhoudt, verwijdert u de batterijen en wacht 30 minuten voor u ze terugzet, daarmee zal de juiste vergrendeling zich weer instellen.

- 13.5 Problemen bij de instelling van gewenste functies / tijden

- De knoppen dienen stevig ingedrukt te worden.
- Druk na elke verandering van een setting altijd op de 'PROG' knop zodat de nieuwe setting opgeslagen wordt.

- 13.6 Het display scherm bevriest

- Verwijder de batterijen een minuut of 5, daarna zet u ze weer in de houder.
- Als het scherm bevroren blijft, herhaalt u de handeling 'Weer instellen van fabrieksgegevens' (zie sectie 11).

- 13.7 Kattendeur sluit niet

- Controleer of de kattendeur niet in 'TRAINING MODE' staat (langzaam knipperende pijlen).
- Wacht 30 minuten voor zelfcorrectie.